



ESC001

ENERMAX M.2 2280 NVMe SSD Heatsink

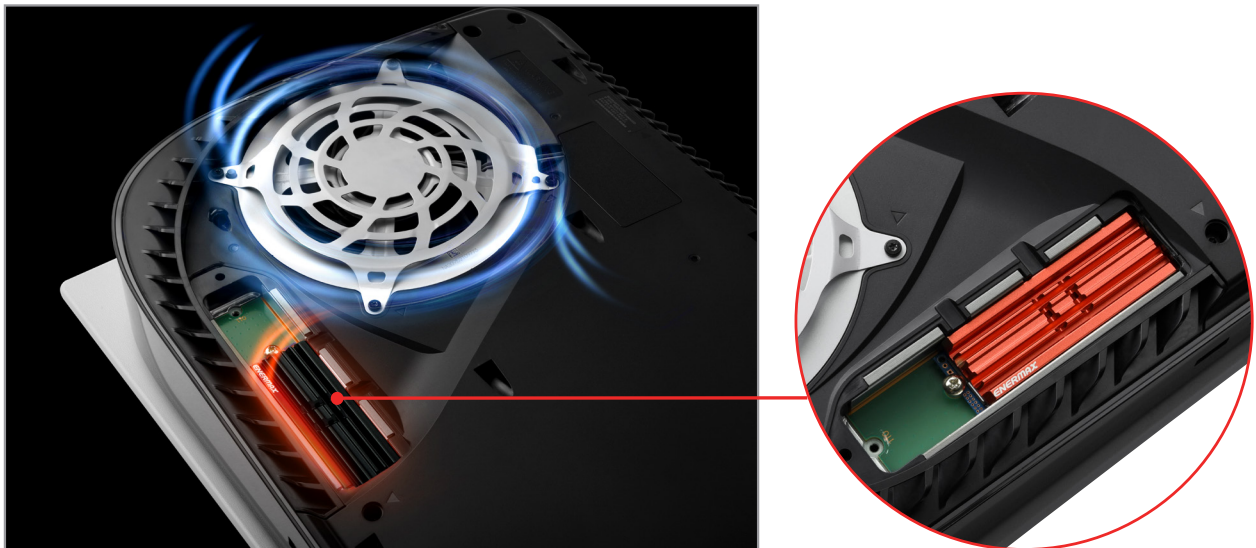


M.2 Heatsink

- Compatible with both single sided and double sided type
- Cool your M.2 2280 SSD up to 10°C to improve your system's performance
- Groove design increasing the heat dissipation area to cool your M.2 2280 SSD efficiently

Features

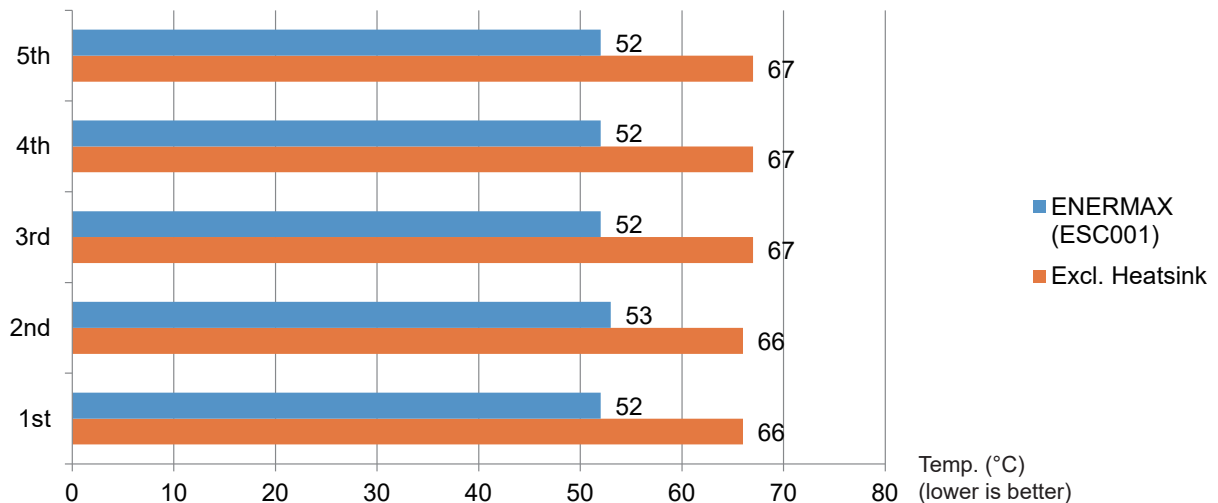
Compatible with PlayStation®5 installation



Cool your M.2 2280 SSD up to 10°C to improve your system's performance

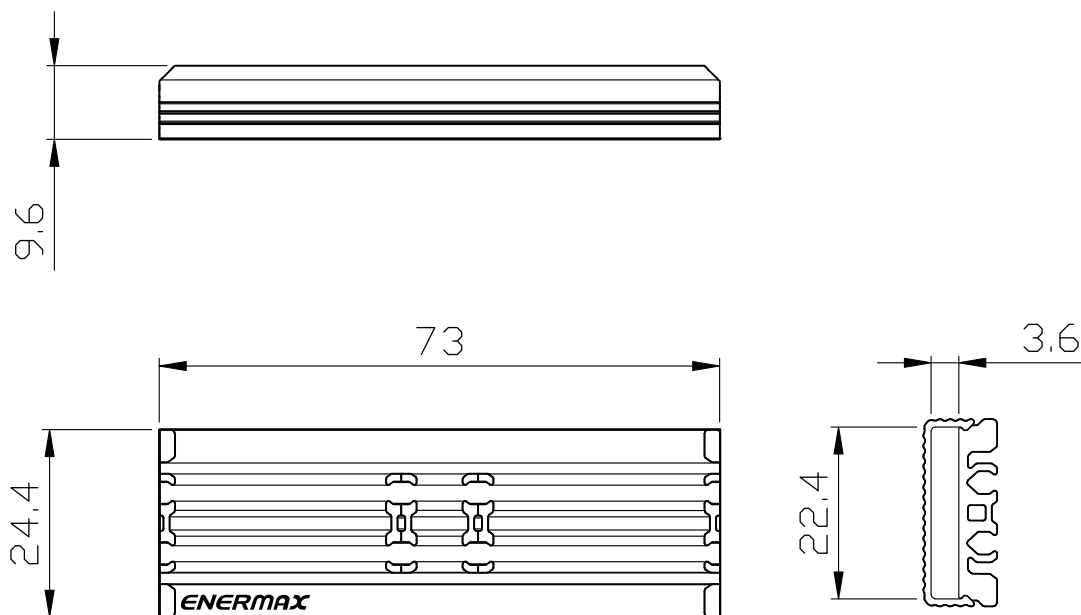
SSD Read & Write Testing

R/W times



Dimension

unit : mm



Specifications

Model	ESC001-BK	ESC001-R	
Width	24.4mm		
Length	73.0mm		
Thickness	9.6mm (incl. Heatsink, Thermal pad, M.2)		
Material	Aluminum		
Module Compatibility	M.2 2280		
Compatibility	Single / Double side M.2 NVMe SSD		
Shipping Information			
Model	ESC001-BK	ESC001-R	
Bar code	EAN	4713157726315	4713157726322
	UPC	819315026311	819315026328
Blister dimension	60 (L) x 15 (W) x 120 (H) mm		
Gross Weight / unit	50 g		
Carton dimension	345 (L) x 260 (W) x 200 (H) mm		
Q'ty / carton	120 pcs		
Gross Weight / carton	5.3 kg		