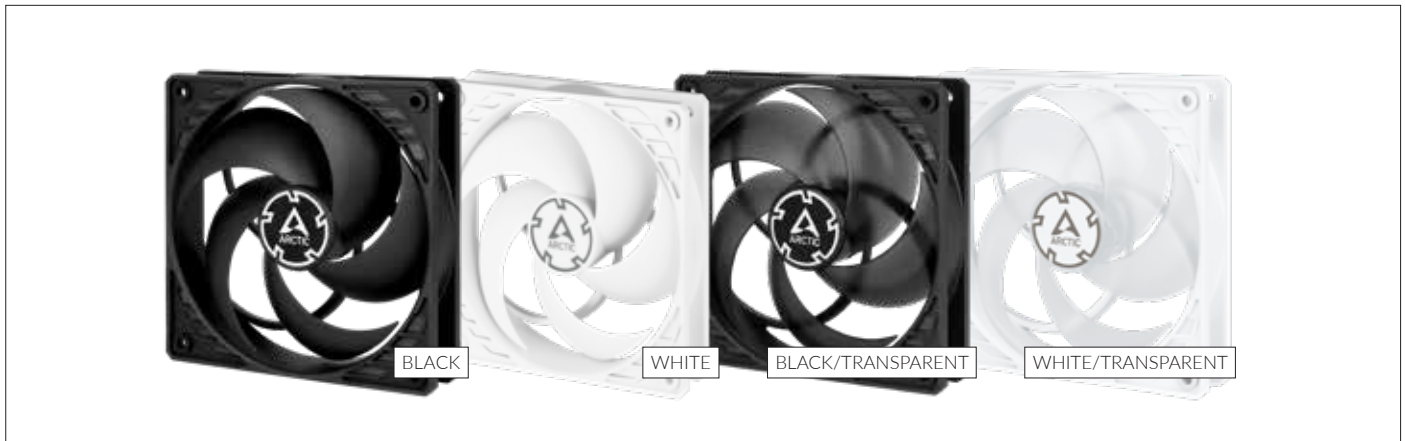


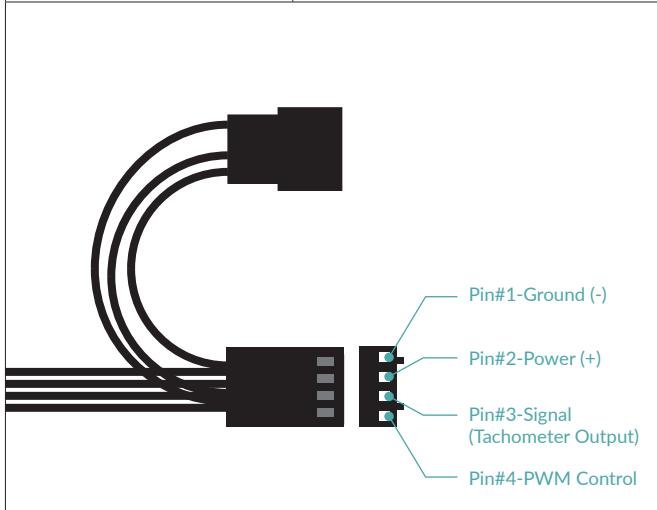
P12 PWM PST

120 mm PWM PST Case Fan



Fan Specifications

Dimensions	120 (L) x 120 (W) x 25 (H) mm
Weight	145 g
Speed	200–1800 rpm, 0 rpm <5% PWM
rpm Control	Pulsweitenmodulation – PWM
Static Pressure	2.20 mm H ₂ O
Airflow	56.3 cfm 95.7 m ³ /h
Bearing	Fluid Dynamic Bearing
Cable Length	400 mm
Connector	4-Pin Connector + 4-Pin Socket
Current/Voltage	0.1 A/12 V
Starting Voltage	3.9 V
Noise Level	0.3 Sone
Ambient Operating Temperature	0–40 °C



Shipping Information Single Fan – Black

Dimensions	123 (L) x 123 (W) x 27 (H) mm
Weight	180 g
SKU	ACFAN00120A
EAN	4895213702966
UPC	840033400763
Package Content	P12 PWM PST x1 Mounting Screws x4

Shipping Information Single Fan – White

Dimensions	123 (L) x 123 (W) x 27 (H) mm
Weight	180 g
SKU	ACFAN00170A
EAN	4895213702935
UPC	840033400732
Package Content	P12 PWM PST x1 Mounting Screws x4

Shipping Information Single Fan – Black/Transparent

Dimensions	123 (L) x 123 (W) x 27 (H) mm
Weight	180 g
SKU	ACFAN00134A
EAN	4895213702935
UPC	840033400732
Package Content	P12 PWM PST x1 Mounting Screws x4

Shipping Information Single Fan – White/Transparent

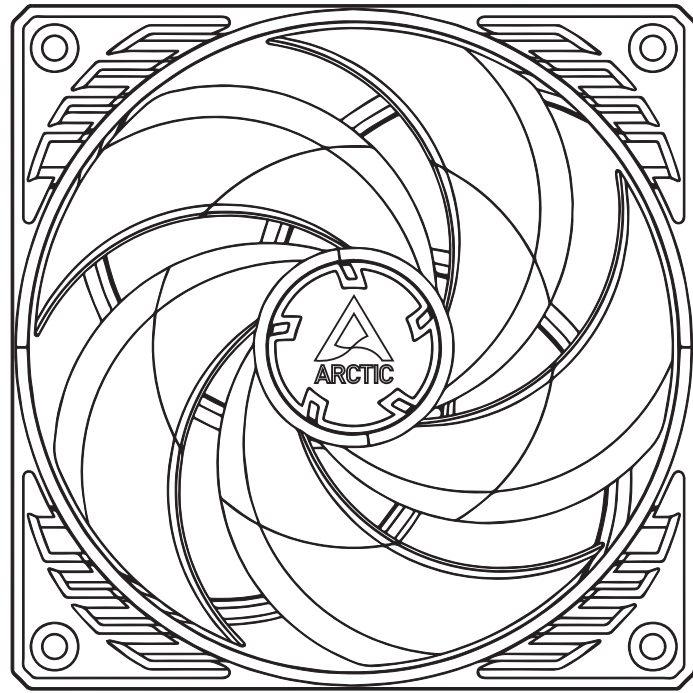
Dimensions	123 (L) x 123 (W) x 27 (H) mm
Weight	180 g
SKU	ACFAN00132A
EAN	4895213702935
UPC	840033400732
Package Content	P12 PWM PST x1 Mounting Screws x4

Shipping Information Pack of 5 Value Pack – Black

Dimensions	123 (L) x 130 (W) x 127 (H) mm
Brutto Gewicht	850 g
SKU	ACFAN00137A
EAN	4895213703345
UPC	840033401159
Package Content	P12 PWM PST x5 Mounting Screws x20

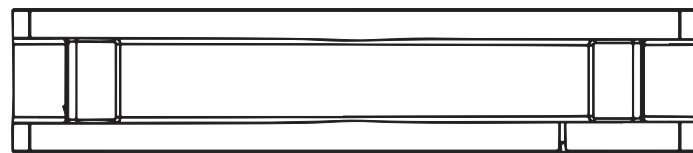
P12 PWM PST

120 mm PWM PST Case Fan



120 mm

120 mm



25 mm

All materials are compatible with RoHS requirements



Product Information



Manual