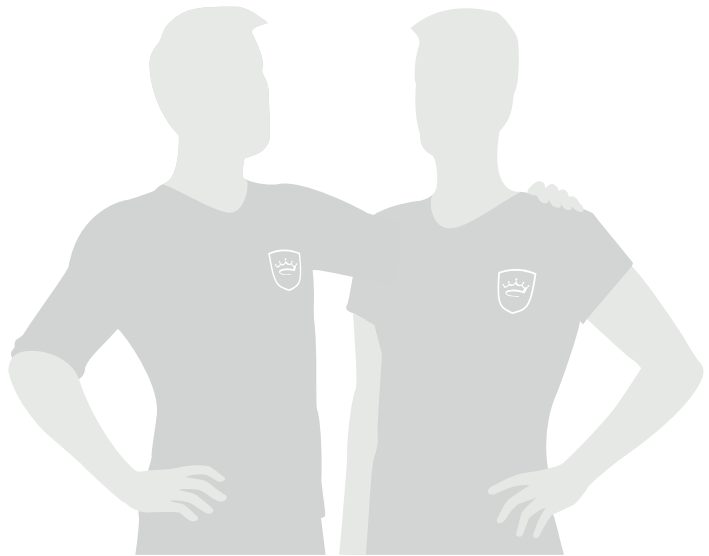


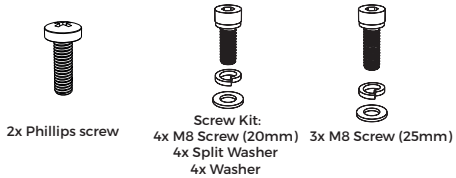


HERO Series - Assembly Instructions

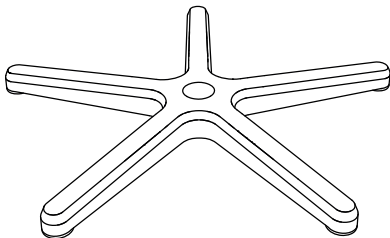


Read over the manual before you begin.
Two people are suggested for assembly.

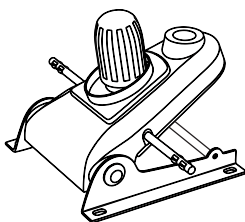
CONTENT CHECKLIST



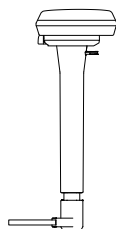
1x Allen Key



1x Wheel Base



1x Tilt Mechanism



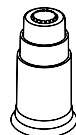
1x Handle



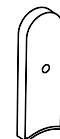
5x Caster



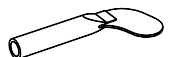
1x Hydraulic Gas Lift



1x Hydraulic Sleeve



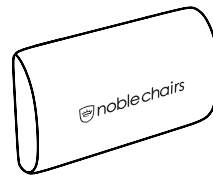
2x Side Cover



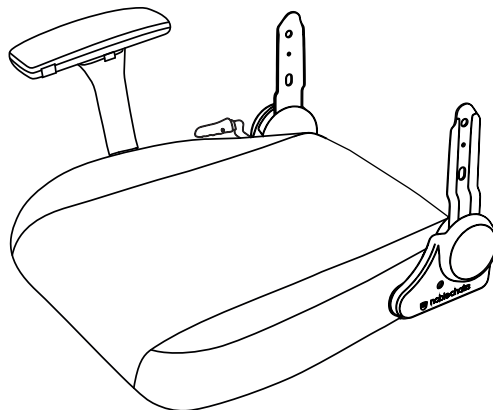
2x Lever Cover



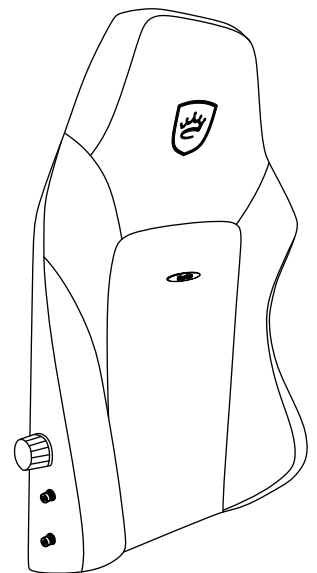
1x Neck Pillow



1x Lumbar Pillow



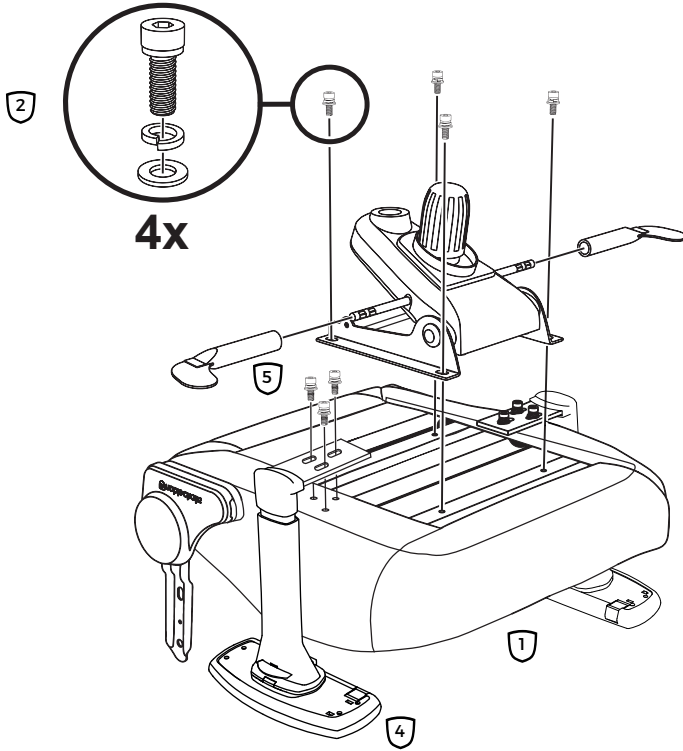
1x Chair Base



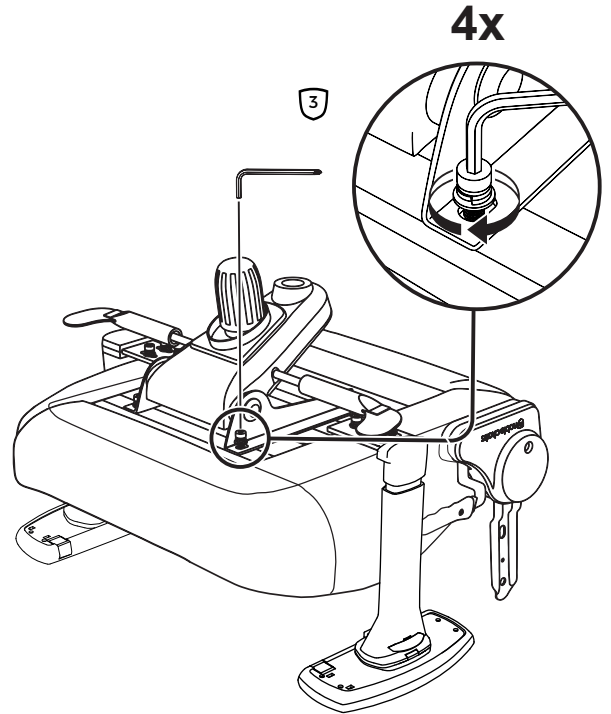
1x Backrest
4x M8 Screw (30mm) with
pre-mounted Washers

TILT MECHANISM INSTALLATION

- 1 Place the CHAIR BASE upside-down on a soft surface and position the TILT MECHANISM in the correct direction.
- 2 Place a SPLIT WASHER and then a WASHER onto each of the 4 M8 SCREWS.

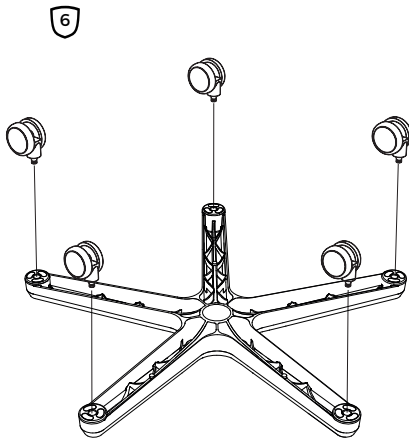


- 3 Install the TILT MECHANISM by diagonally tightening the screws into the CHAIR BASE with the ALLEN KEY.
- 4 As the armrest on the right side comes preinstalled, proceed to attach the left armrest to the seat of the chair.
- 5 Place plastic LEVER COVERS onto metal handles, align and push evenly into place.

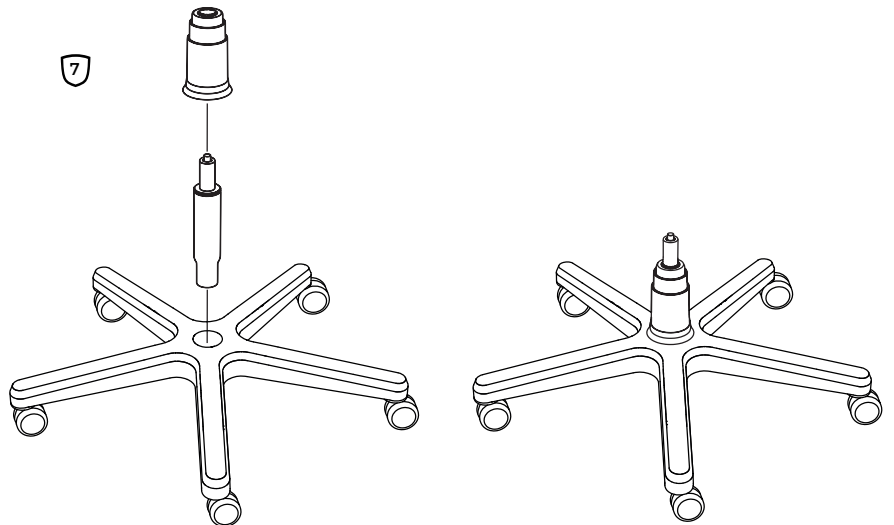


WHEELBASE INSTALLATION

- 6 Insert the 5 CASTERS into the WHEEL BASE. Push firmly to lock them into place.

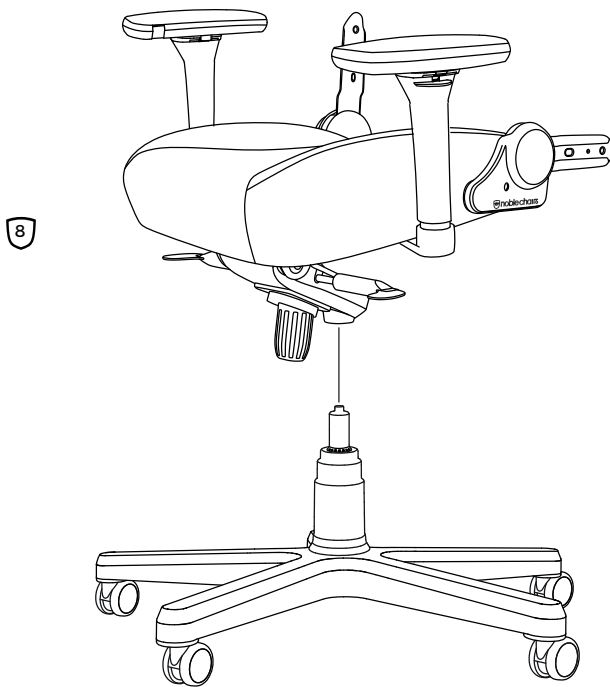


- 7 Position the HYDRAULICS into the WHEEL BASE and place the HYDRAULIC SLEEVE over it.

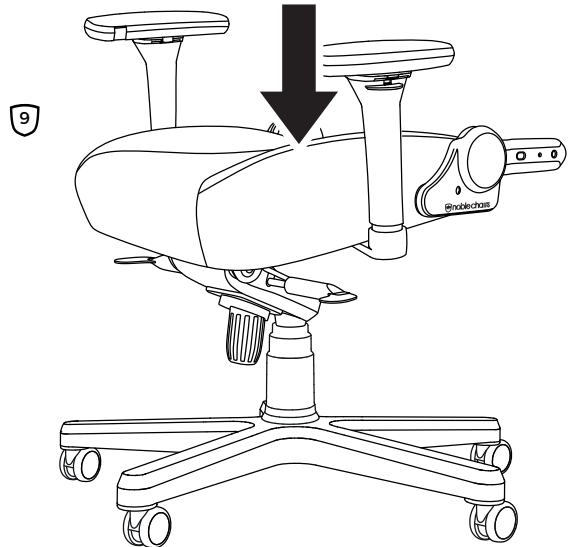


CHAIRBASE INSTALLATION

- 8 Align the top of the HYDRAULICS into the bottom of the TILT MECHANISM.

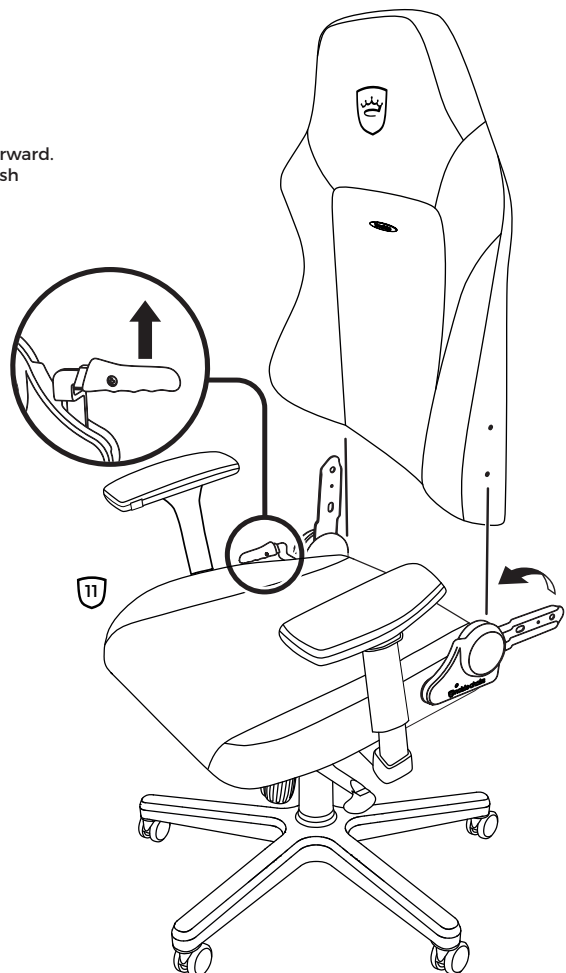
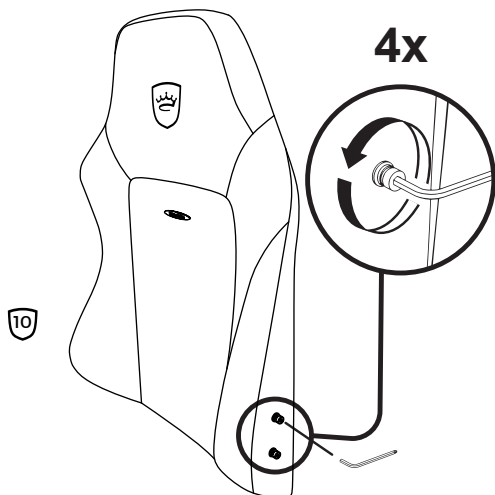


- 9 Push and sit down to lock it into place.



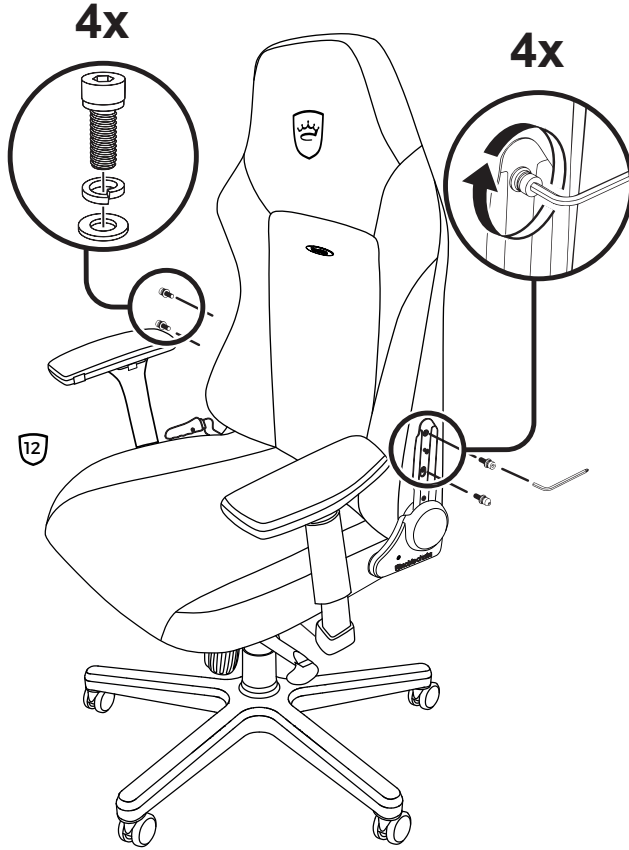
BACKREST INSTALLATION

- 10 Using the ALLEN KEY, unscrew the 4 M8 (30mm) pre-mounted screws and washers on the side of the backrest.
- 11 Pull the lever up from the bottom so the mounting bracket snaps forward. Keep your hands clear of the bracket because it can cause injury. Push back the mounting bracket to a 90° angle for easier mounting.

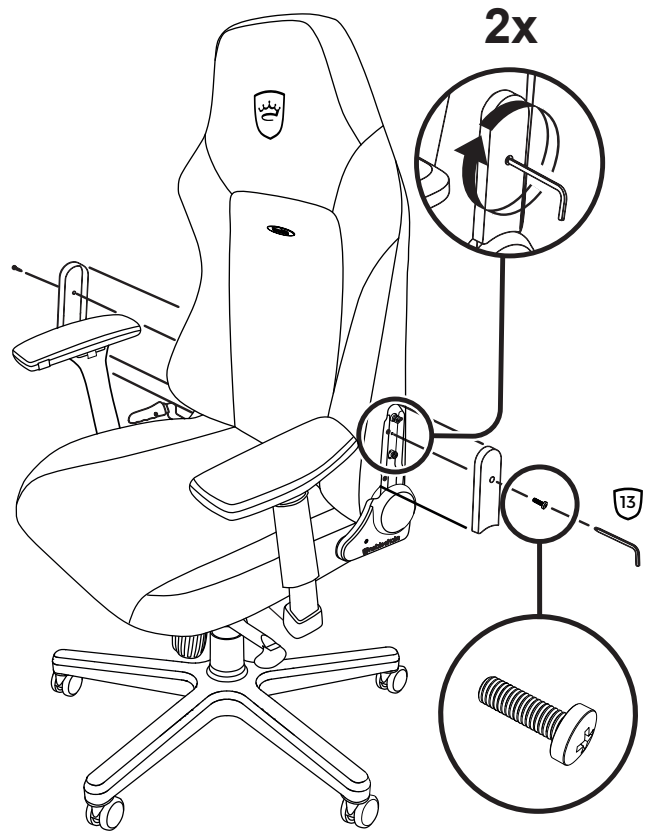


BACKREST INSTALLATION

12 Starting with the right side, attach the backrest to the metal brackets with the 4 M8 (30mm) screws using the ALLEN KEY.



13 While firmly pushing SIDE COVERS into place, use the ALLEN KEY to secure the SIDE COVERS with the 2 PHILLIPS SCREWS.



PILLOWS

14 Attach the NECK PILLOW by sliding its elastic band around the headrest of the chair.



15 Place the LUMBAR PILLOW at the bottom of the backrest.

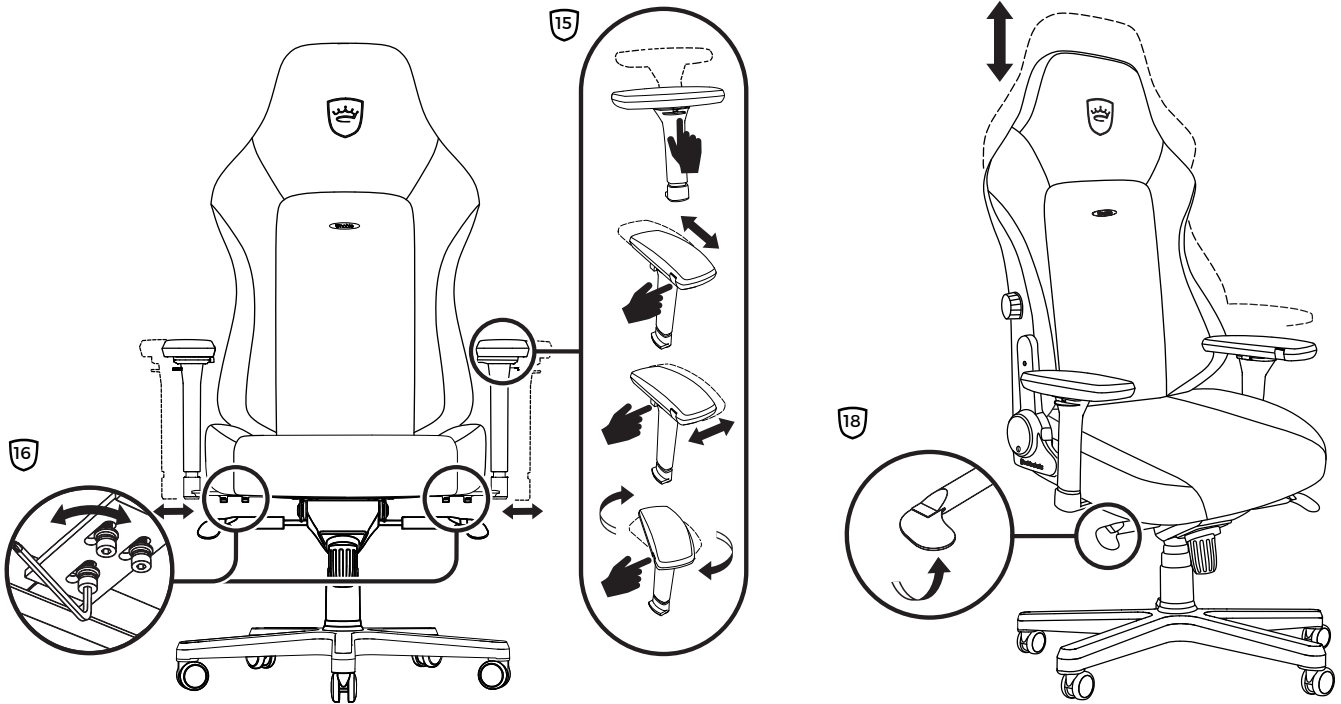


4D ARMREST ADJUSTMENTS

- 16 Ensure that the armrests are balanced to your liking. If not, adjust by loosening and tightening the screws with the ALLEN KEY.

- 17 Use the appropriate function to adjust the armrests.

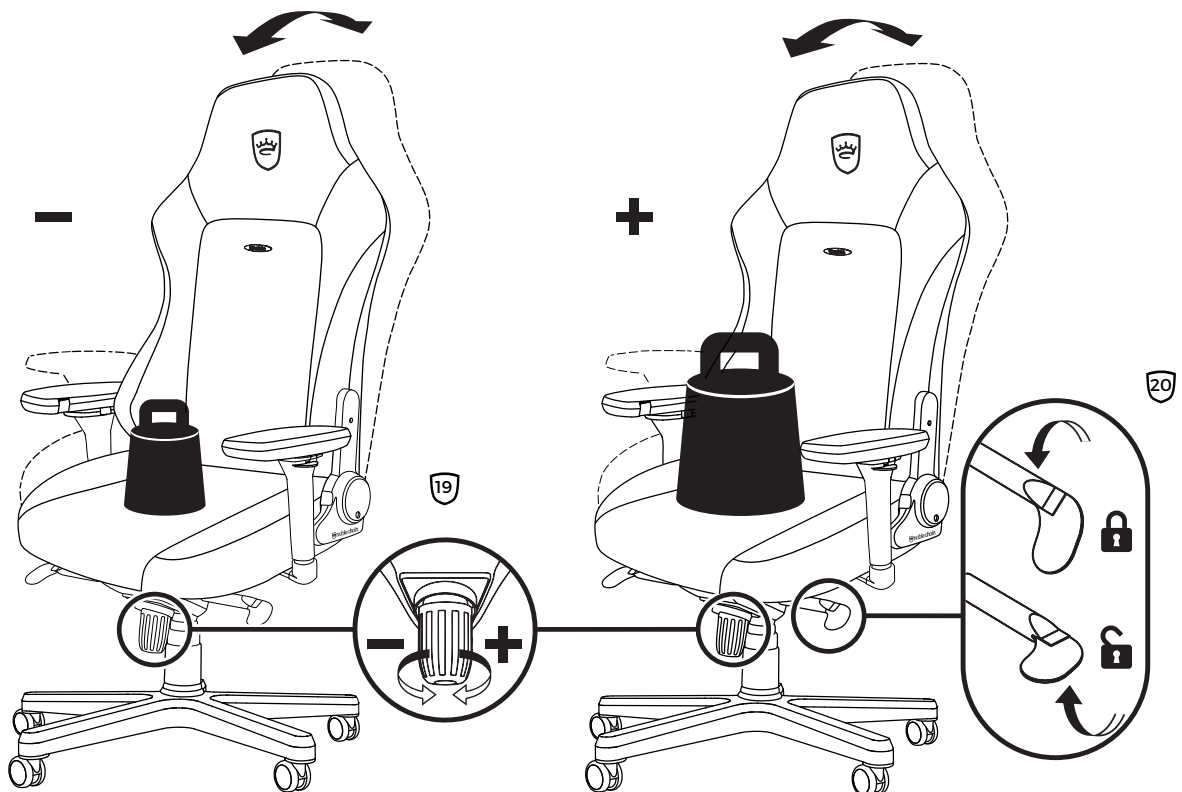
- 18 Use the right lever to adjust the chair's height.



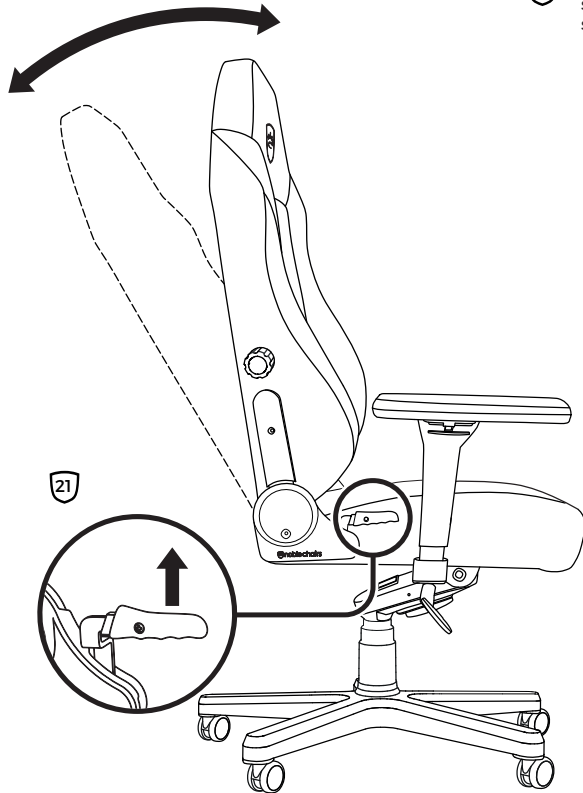
TILT ADJUSTMENT

- 19 Turn the cylinder knob under the chair clockwise to tighten the seat's rockability and counterclockwise to loosen it. Adjust according to your own weight.

- 20 Use the left lever to lock/unlock the tilt mechanism.

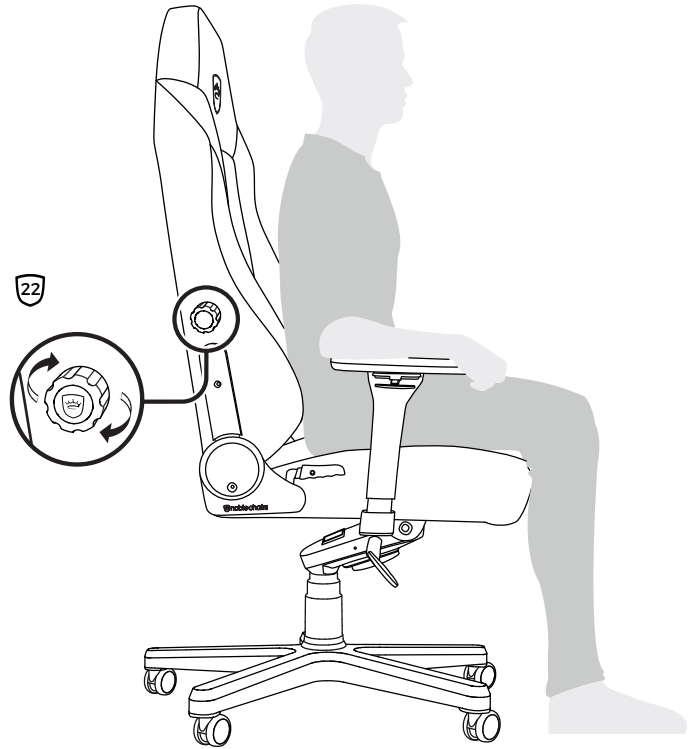


SEATING ADJUSTMENT



21 Pull up on the lever and slowly lean back until the preferred position is achieved.

22 Rotating the dial on the backrest clockwise will increase back support, while turning it counterclockwise will reduce back support.



Care Instructions

Keep noblechairs tidy by vacuuming its seams with a crevice tool. Dust regularly using a clean, lint-free, slightly damp soft cloth and wipe the area clean. Avoid direct sunlight and keep noblechairs away from heat sources to protect its leather. Clean spills quickly. Blot away with a clean cloth, but do not rub. Clean the casters by wiping off dirt with a scrub brush. Vacuum out dust caught inside of the wheels. For further cleaning, pull off the wheels and wipe them down with a surface cleaner and a clean rag. Push firmly to lock them back into place.

Safety Information

The maximum recommended user weight of the HERO Series is up to 150kg or 330.7 pounds. Don't use noblechairs in an abusive manner. noblechairs is not liable for any damages resulting from improper assembly and usage.



Return/Exchange Policy

The original packaging can be conveniently reused for a noblechairs return or exchange. noblechairs accepts returns that are properly packaged.



www.noblechairs.com

info@noblechairs.com