

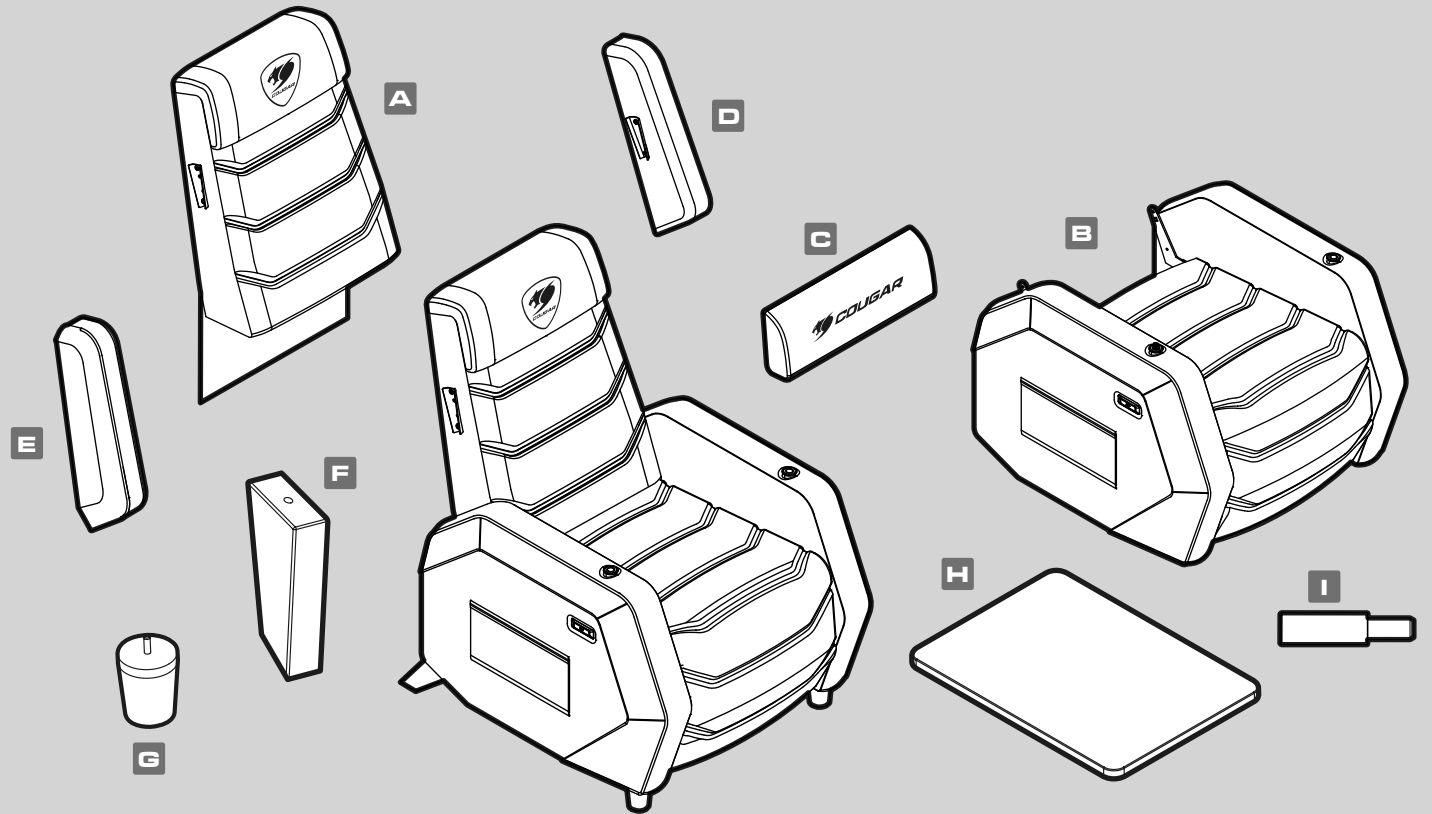


RANGER PRO

GAMING SOFA

ASSEMBLY DRAWING

部件图示, 部件圖示



FEATURES 产品特点, 產品特點

GAMING THRONE FOR PRO PLAYERS

职业玩家的游戏王座, 職業玩家的遊戲王座

A USB Type-C charging function, detachable swivel table and side pocket storage have been added for players convenience and support. Crafted from premium materials like a steel frame and high-quality components, this chair also includes a foldable footrest and tilted backrest to provide you with the comfort you need for long gaming sessions. Be ready for the any battle that comes your way with the Ranger Pro.

为了提供玩家更多方便和支援, Ranger Pro 椅子新增了 USB Type-C 充电功能、可拆卸的旋转桌面和侧袋储存。这款椅子选用了优质材料, 包括钢框架和高品质零件, 同时还具备可折叠脚垫和倾斜靠背, 让您在长时间的游戏中享受所需的舒适感。无论面对任何战斗, Ranger Pro 都能让您做好准备。

為了提供玩家更多方便和支援, Ranger Pro 椅子新增了 USB Type-C 充電功能、可拆卸的旋轉桌面和側袋儲存。這款椅子選用了優質材料, 包括鋼框架和高品質零件, 同時還具備可摺疊腳墊和傾斜靠背, 讓您在長時間的遊戲中享受所需的舒適感。無論面對任何戰鬥, Ranger Pro 都能讓您做好準備。

ENGLISH

- Unparalleled comfort
- USB Type-C charging
- Detachable swivel table
- Side storage pocket
- Headrest and lumbar pillow
- Three adjustable position: 115°, 125°, 157°
- High-quality breathable PVC leather
- Support up to 160kg

ESPAÑOL

- Confort sin igual
- Carga USB Tipo-C
- Mesa giratoria desmontable
- Bolsillo de almacenaje lateral
- Reposacabezas y almohadilla lumbar
- Tres posiciones ajustables: 115°, 125°, 157°
- Cuero de PVC transpirable de alta calidad
- Soporta hasta 160 kg

DEUTSCH

- Beispiellosem Komfort
- USB-Type-C-Laden
- Abnehmbarer Schwenktisch
- Seitenstocktasche
- Kopfstütze und Lendenkissen
- Drei einstellbare Position: 115°, 125°, 157°
- Hochwertig atmungsaktive PVC-Leder
- Unterstützung bis zu 160 kg

FRANÇAIS

- Confort inégalé
- Charge USB Type-C
- Table pivotante détachable
- Poche de rangement latérale
- Appui-tête et oreiller lombaire
- Trois positions réglables: 115°, 125°, 157°
- Cuir PVC respirant de haute qualité
- Support jusqu'à 160 kg

簡中

- 无与伦比的舒适度
- 支援 USB Type-C 充电
- 附可拆卸旋转桌
- 侧边收纳袋设计
- 附带舒适头枕与腰枕
- 三段式可调节椅背: 115°、125°、157°
- 优质透气 PVC 皮革
- 最大可承重 160kg

PORTUGUÉS

- Conforto inigualável
- Carregamento USB tipo C
- Mesa giratória removível
- Bolso de armazenamento lateral
- Encosto de cabeça e almofada lombar
- Três posições ajustáveis: 115°, 125°, 157°
- Couro de PVC respirável de alta qualidade
- Suporta até 160 kg

РУССКИЙ

- Беспрецедентный комфорт
- Зарядка USB Type-C
- Съемный поворотный стол
- Боковой карман хранения
- Подголовник и поясничная подушка
- Три регулируемого положения: 115°, 125°, 157°
- Высококачественная дышащая кожа из ПВХ
- Поддерживать до 160 кг

KOREAN

- 비공방 수없는 압박함
- USB-Type-C 충전
- 분리 가능한 스위블 테이블
- 사이드 스토리지 포켓
- 머리 받침과 오쿠 베개
- 세 가지 조정 가능한 위치: 115°, 125°, 157°
- 고품질 통기성 PVC-가죽
- 최대 160kg를 지원합니다

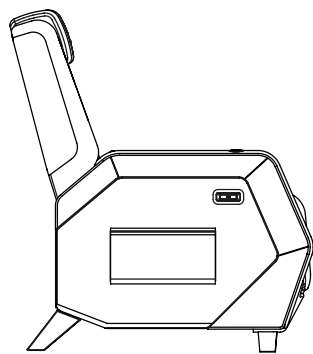
日本語

- 長時間座っても疲れにくい座り心地
- USB-Type-C 充電に対応
- 取り外し可能な回転テーブル
- サイド収納ポケット
- 頭部部分と腰部部分にヒロ-を付属
- 背もたれには3段階で調節できるリクライニング機能が付いております。(115°、125°、157°)
- 透気性の良いPVCレザー
- 耐荷重:160kg

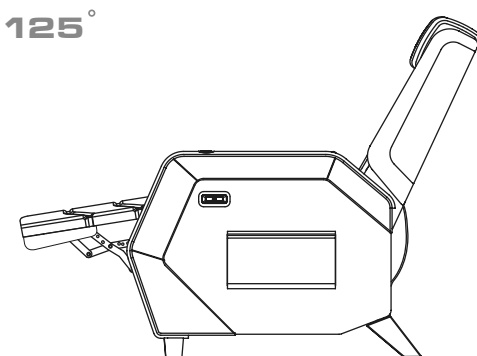
繁中

- 無與倫比的舒適度
- 支援 USB Type-C 充電
- 附可拆卸旋轉桌
- 側邊收納袋設計
- 三段式可調節椅背: 115°、125°、157°
- 優質透氣 PVC 皮革
- 最大可承重 160kg

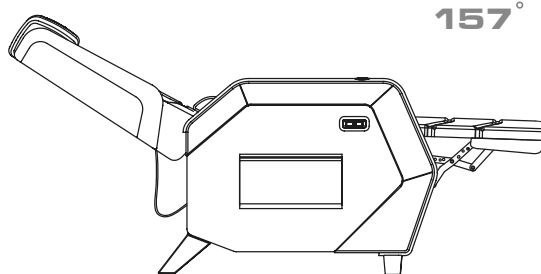
RECLINER SYSTEM 115° / 125° / 157°



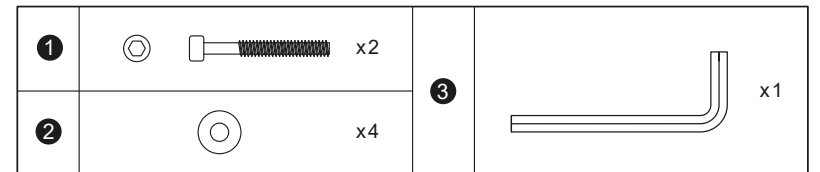
115°



125°

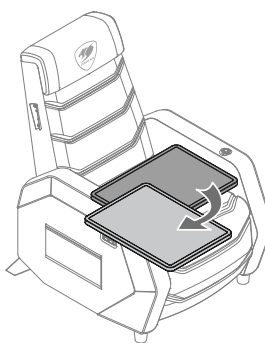


157°



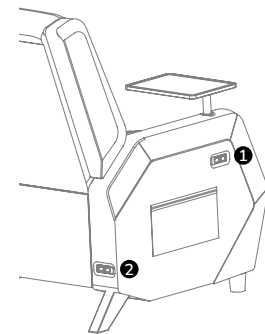
THE SWIVEL TABLE CAN ROTATE 360.

边桌可360度旋转, 邊桌可360度旋轉



IN-BUILT USB TYPE-C CHARGER

内置 USB Type-C 充电座, 內置 USB Type-C 充電座



1 USB Type-C / Output
输出, 輸出

2 USB Type-C / Input
输入, 輸入

- *Please connect the Power adapter and cable.
- *请连接电源适配器与电缆。
- *請連接電源適配器與電纜。
- *Power adapter and cable not included.
- *不包含电源适配器和电缆。
- *不包含電源適配器和電纜。

WARNING 安全注意事项, 安全注意事項

1. It is recommended to use power adapters that comply with PD/QC specifications to improve charging efficiency.
2. The maximum output power of the power adapter should not exceed 65W.
3. This USB Type-C charging dock supports charging only.

1. 建议使用符合PD/QC 规范之电源适配器, 可提高充电效率。
2. 电源适配器最大输出功率请勿超过65W。
3. 此USB Type-C充电座仅支援充电。

1. 建議使用符合PD/QC 規範之電源適配器, 可提高充電效率。
2. 電源適配器最大輸出功率請勿超過65W。
3. 此USB Type-C充電座僅支援充電。

SPECIFICATIONS OF THE USB TYPE-C CHARGING DOCK 充电座规格, 充電座規格

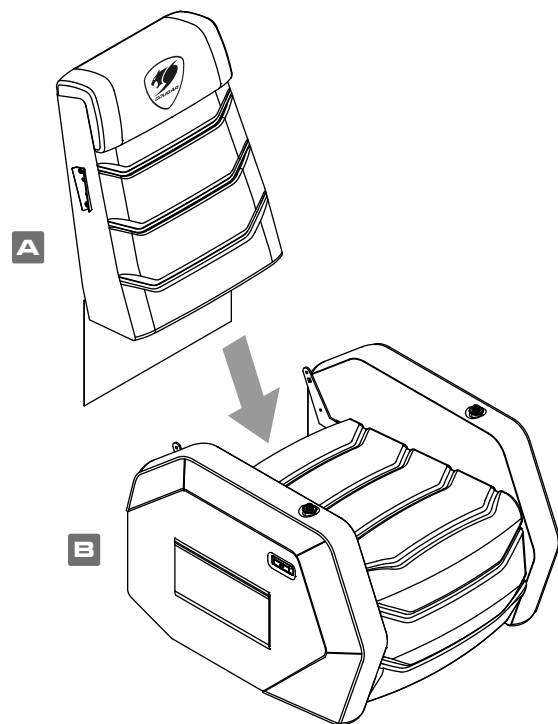
USB TYPE-C CHARGER 充电座, 充電座

- Maximum voltage 最大电压, 最大電壓: 15V
- Maximum current 最大电流, 最大電流: 3A
- Maximum power 最大功率, 最大功率: 30W

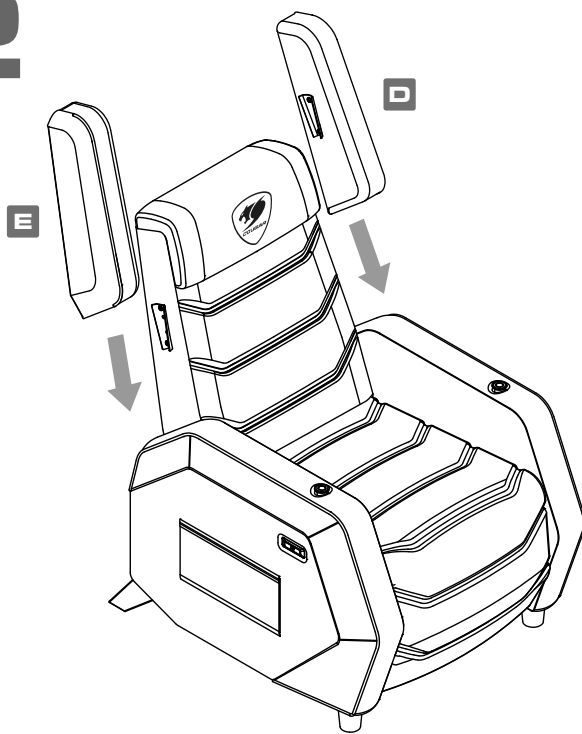
ASSEMBLING INSTRUCTION

组装说明, 組裝說明

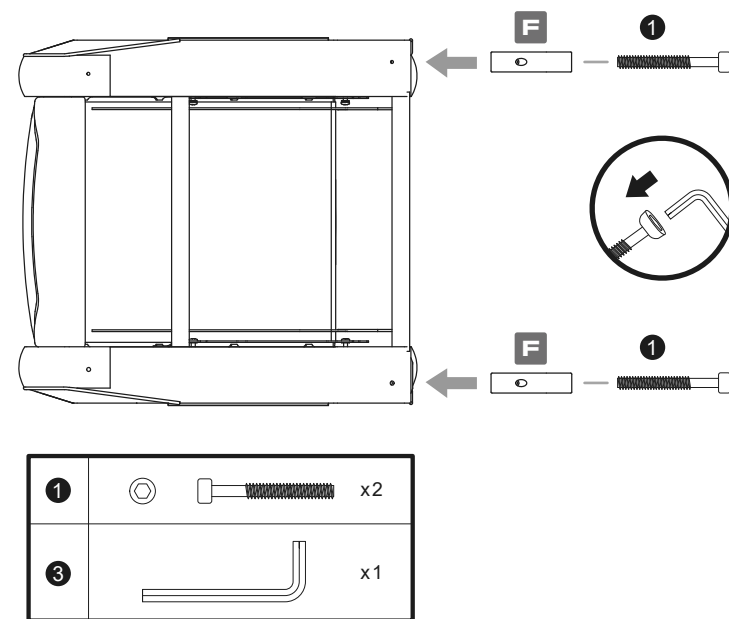
1



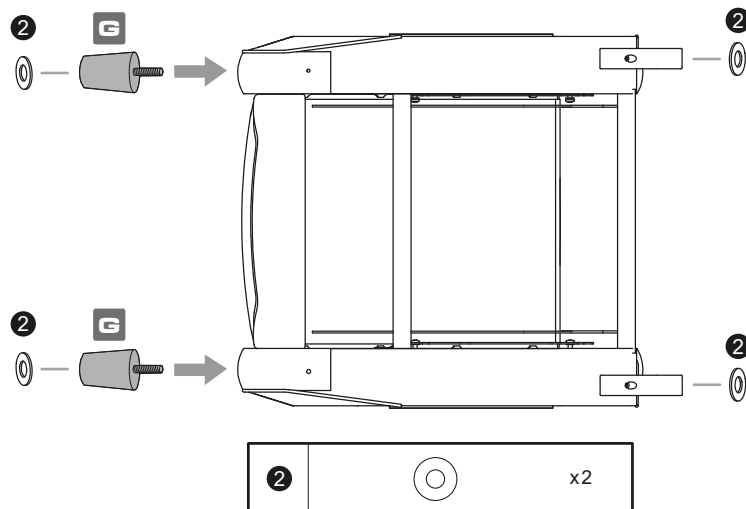
2



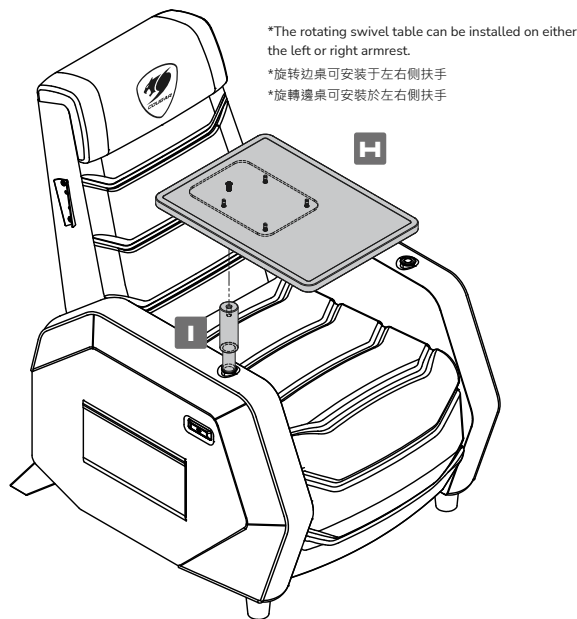
3



4



5



*The rotating swivel table can be installed on either the left or right armrest.

*旋轉邊桌可安裝於左右側扶手

*旋轉邊桌可安裝於左右側扶手

WARNING 安全注意事項, 安全注意事項

SWIVEL TABLE 旋轉邊桌, 旋轉邊桌

- When assembling the rotating side table, please ensure that all parts are fully inserted to prevent the table from falling and causing personal injury or damage.
- When lying down or getting up, please rotate the side table 180 degrees outward to avoid collision with the body.
- The maximum weight capacity for the swivel table is 7.5kg. Please do not place any body or object weighing more than 7.5kg on the table. Also, make sure there are no tight spaces where it could get caught or cause injury.

- 組裝旋轉邊桌時，請務必確認所有零件均已完整插入，以避免邊桌掉落，導致人身傷害或損壞邊桌。
- 平躺或起身時，請務必將邊桌向外旋轉180度，以避免身體碰撞到邊桌。
- 請注意，旋轉邊桌的最大承重為7.5公斤。請勿將超過此重量的人或物放在邊桌上。
- 組裝旋轉邊桌時，請務必確認所有零件均已完整插入，以避免邊桌掉落，導致人身傷害或損壞邊桌。
- 平躺或起身時，請務必將邊桌向外旋轉180度，以避免身體碰撞到邊桌。
- 請注意，旋轉邊桌的最大承重為7.5公斤。請勿將超過此重量的人或物放在邊桌上。

GLOBAL WARRANTY POLICY 全球保固條款, 全球保固政策

WARRANTY PERIODS OF COUGAR GAMING DEVICES

Product : COUGAR RANGER PRO GAMING SOFA

Warranty : Please refer to our official website.

(<https://cougargaming.com/us/support/warranty/>)

保固政策：中国地区购买，请参考中国地区官方网站。

(<http://cougargaming.com.cn/support/warranty/>)

This warranty gives you specific legal rights. You may also have other rights granted under local law.

WARRANTY AGREEMENT

• If the product has defects in material or manufacture, COUGAR will provide product repair and replacement service within the warranty period.

• Our warranty service is based on the date of the invoice or warranty card.

CONDITIONS WHERE FREE MAINTENANCE IS NOT PROVIDED

- Any fault or damage caused by natural disasters (including storm, fire, flood, thunder, earthquake, etc).
- Any fault or damage caused by accidental factors and man-made reasons (including hit, scrape, crash, moving, compression, stain, corrosion, riot, misuse, malicious damage, etc).
- Use in an improper operating environment (including high temperature, high humidity, water inflow, etc).
- Inability to provide the product warranty card, purchase receipt or invoice to prove the product is still within the warranty period and the shipping date of the product is out of warranty.
- The warranty card has been altered or its number is hard to identify.
- The warranty period has expired.
- Any fault or damage caused by non-compliance with regulations stated on the user manual or improper, rough and careless treatment.
- Any fault or damage caused by use of parts not certified by COUGAR original manufacturer.
- The problem is caused by improper repair or adjustment by the buyer or any manufacturer without authorization from COUGAR.
- The product is not acquired from an authorized distributor of the company or is acquired from illicit sources.
- Paper carton, instruction and other accessories are not warranted.



詳細保固條件
請掃描QR Code

DISCLAIMERS

- COUGAR products should not be used as critical components in life support devices.
- COUGAR is not liable for any damage of life and limb or damage or loss of property caused by or during COUGAR products' use as or with medical equipment, military equipment, traffic equipment and disaster prevention systems.
- COUGAR's warranty liability is limited to repair or replacement. The decision on whether to repair or replace belongs exclusively to COUGAR.
- COUGAR is, to the extent not prohibited by law, not liable for any damages; expenses; lost data, revenues, savings or profits; or any incidental or consequential damages happened while the use of a defective product from COUGAR or due to its use.

LEGAL NOTICES

This manual was created by Compucase Enterprise and may not be completely or partially copied, passed on, distributed or stored without written consent by Compucase Enterprise. COUGAR® is a registered brand of Compucase Enterprise. Other product and company names mentioned in this documentation may be brands or trademarks of their respective owners. Compucase Enterprise reserves the right to make changes concerning the contents of the manual and the technical data of the product without previous announcement.

WARNING

- Only the occupant should operate it.
- This product is only suitable for one person at a time.
- Do not allow children to play on the chair, or operate the mechanism.
- Be careful when extending the footrest.
- Leg rest folds down on closing so that a child could possibly be injured.
- Keep hands and feet clear of the mechanism.
- Always leave the sofa in an upright and closed position after use.
- Do not use this recliner as a step ladder or stand on it.



Maximum stationary weight capacity 160kg. Please do not place any body or object above 160kg on this chair. From spaces in which it could get caught or be injured.

本產品最大承受重量160公斤，請勿將160公斤以上的身體或物體放在椅子上。
本產品最大承受重量160公斤，請勿將160公斤以上的身體或物體放在椅子上。

ДАТА ИЗГОТОВЛЕНИЯ ПРОДУКЦИИ

год и месяц изготовления продукции указаны в серийном номере продукта. (существует 2 способа определения даты изготовления, оба способа описаны ниже)

А После S/N: первые две цифры означают год, вторые две – месяц изготовления. Например, S/N: H1702000001 означает, что товар был произведен в феврале 2017 года.

Б После S/N: если указаны буквы, то две буквы представляют цифры в таблице ниже, и означают год, последующие две цифры – месяц изготовления. Например, S/N: DAG02REV1000001 означает, что товар был произведен в феврале 2017 года.

A	B	C	D	E	F	G	H	I	J
1	2	3	4	5	6	7	8	9	0

• Например, AG = 17 = 2017 год



MANUFACTURER CONTACT

制造商联系方式, 製造商聯繫方式



www.cougargaming.com

COUGAR USA Technical Service

Tel: (833) 256-3778

Mail: rma@compucaseusa.com

Compucase Enterprise Co., Ltd.
All rights reserved. Made in China



Official website