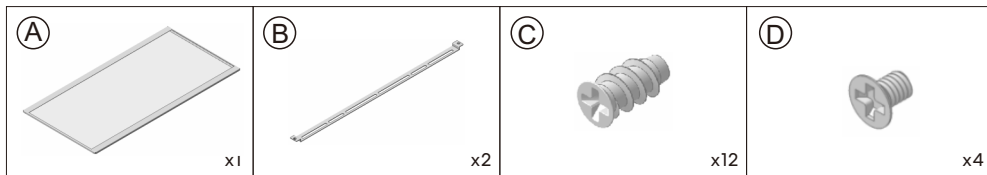
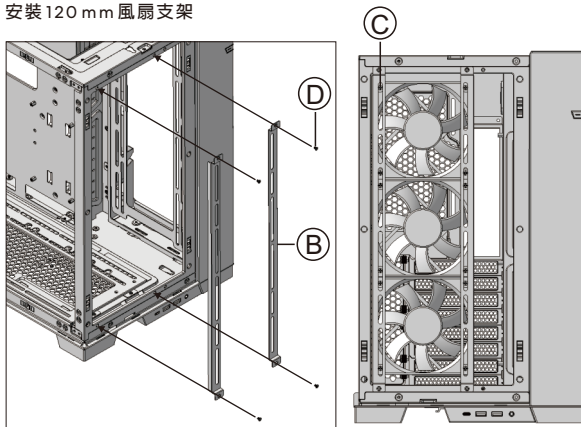


Package contents / 包裝內容物:



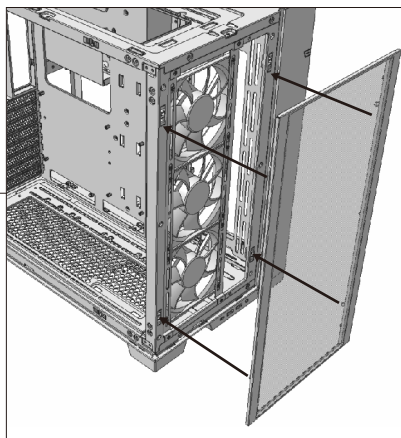
Installation / 安裝

Install the 120 mm fan bracket
安裝 120 mm 風扇支架

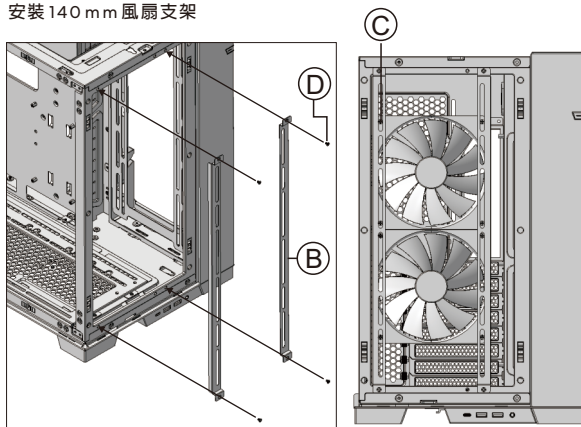


Mounting points of the fan brackets for the 120 mm and 140 mm fan are different. 120 mm and 140 mm 風扇的風扇支架安裝孔位不同。

Install the front mesh panel
安裝前網孔面板



Install the 140 mm fan bracket
安裝 140 mm 風扇支架



Front Mesh Kit

Compatibility of GPU with upright GPU kit / 使用豎立顯卡套件時，顯卡的兼容性

When installing fans at the front with the front mesh kit, there is a strictly GPU clearance limitation that is installed next to the motherboard with the upright GPU kit.

使用正面網狀套件在正面安裝風扇時，使用豎立顯卡套件安裝在主板旁邊的顯卡大小有嚴格限制。

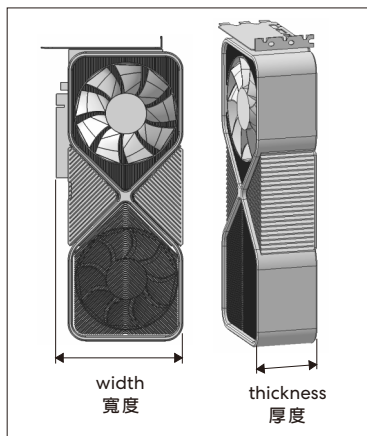
	GPU Width / GPU 寬度	GPU Thickness / GPU 厚度	Compatibility / 兼容性
25 mm thick 120 mm fan / 25 mm 厚 120 mm 風扇	≤ 150 mm	≤ 60 mm (3 slots / 3 槽)	Yes / 是的
	≤ 138 mm	≤ 62 mm (3 slots / 3 槽)	Yes / 是的
25 mm thick 140 mm fan / 25 mm 厚 140 mm 風扇	≤ 150 mm	≤ 40 mm (2 slots or waterblock GPU / 2 槽或水冷顯卡)	Yes / 是的
	≤ 138 mm	≤ 62 mm (3 slots / 3 槽)	Yes, with condition* 是的，但有條件限制*

* When mounting 25 mm thick 140 mm fans at the front and a GPU (width under 138 mm) thickness from 40 mm to 62 mm next to the motherboard with the upright GPU kit, please make sure that the L-type support bracket doesn't interrupt the GPU power connector and the 140 mm fan. (as below image)

* 當在正面安裝 25 mm 厚的 140 mm 風扇和在主板旁邊以豎立顯卡套件安裝厚度 40 mm 至 62 mm 的顯卡（寬度低於 138 mm）時，需注意 L 型支撐架不會受到顯卡電源接口和 140 mm 風扇的干擾。（如下圖）

Graphics card width/thickness measurement

顯卡寬度 / 厚度量測示意



The L-type support bracket from the Upright GPU Kit (2X/2W) shall avoid the GPU power connector and the 140 mm fans

L 型支撐架可避開 140 mm 風扇與顯卡 8 PIN 接口處

