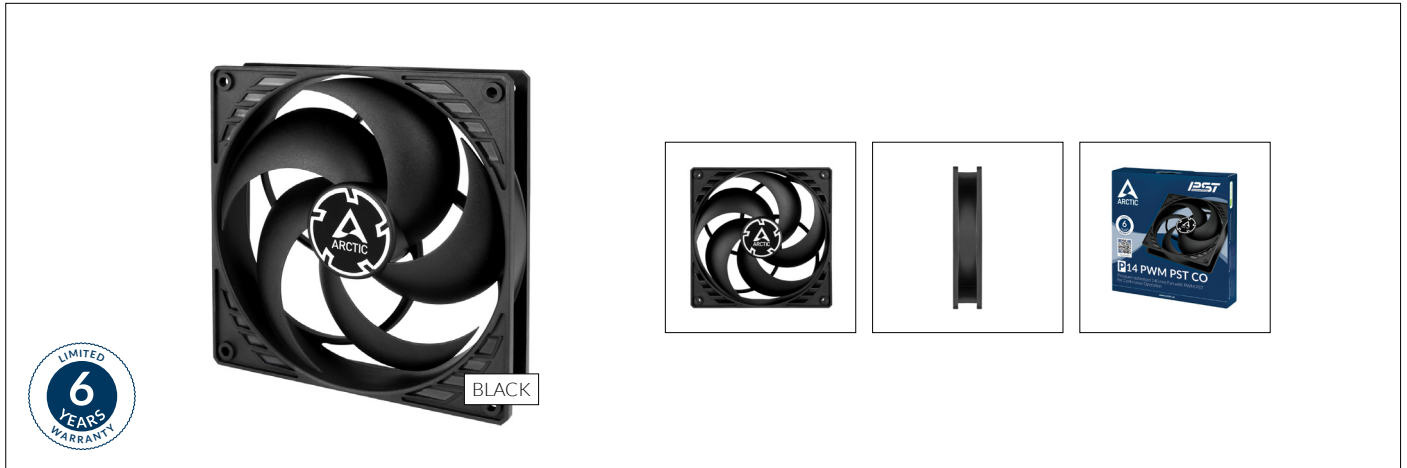


P14 PWM PST CO

140 mm PWM with PST Case Fan for Continuous Operation

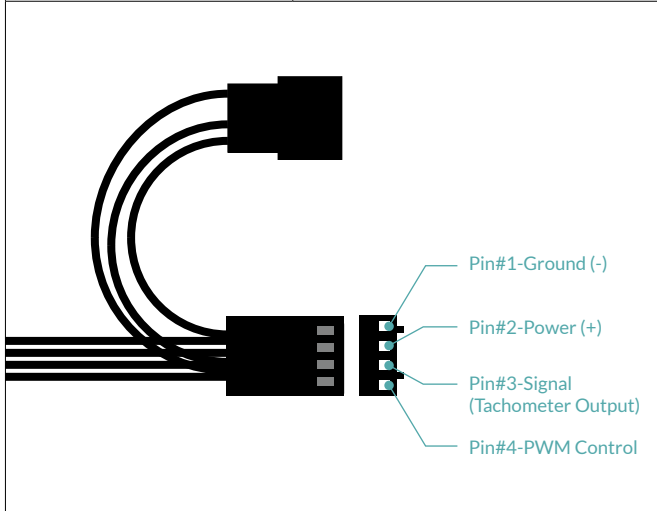


Fan Specifications

Dimensions	140 (L) x 140 (W) x 27 (H) mm
Weight	194 g
Speed	200-1700 rpm, 0 rpm <5% PWM
rpm Control	Pulse Width Modulation - PWM
Static Pressure	2.40 mmH ₂ O
Airflow	72.8 cfm 123.80 m ³ /h
Bearing	Dual Ball Bearing
Cable Length	400 mm
Connector	4-Pin Connector + 4-Pin Socket
Current Voltage	0.12 A 12 V
Starting Voltage	6.0 V
Noise Level	0.3 Sone
Ambient Operating Temperature	0-40 °C

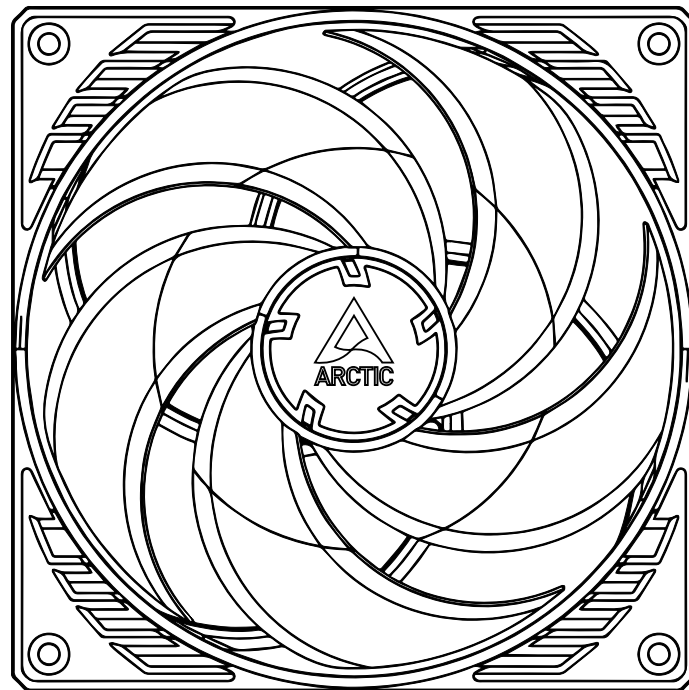
Shipping Information Single Fan - Black

Dimensions	143 (L) x 143 (W) x 29 (H) mm
Weight	230 g
SKU	ACFAN00126A
EAN	4895213701570
UPC	872767009516
Package Content	P14 PWM PST CO x1 Mounting Screws x4



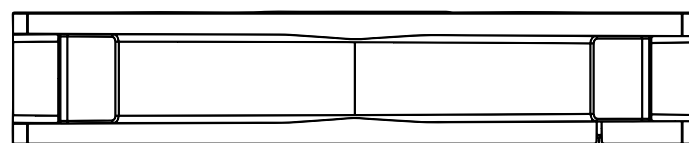
P14 PWM PST CO

140 mm PWM with PST Case Fan for Continuous Operation



140 mm

140 mm

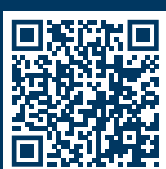


27 mm



All materials are compatible with RoHS requirements.

MORE INFORMATION



MANUALS

