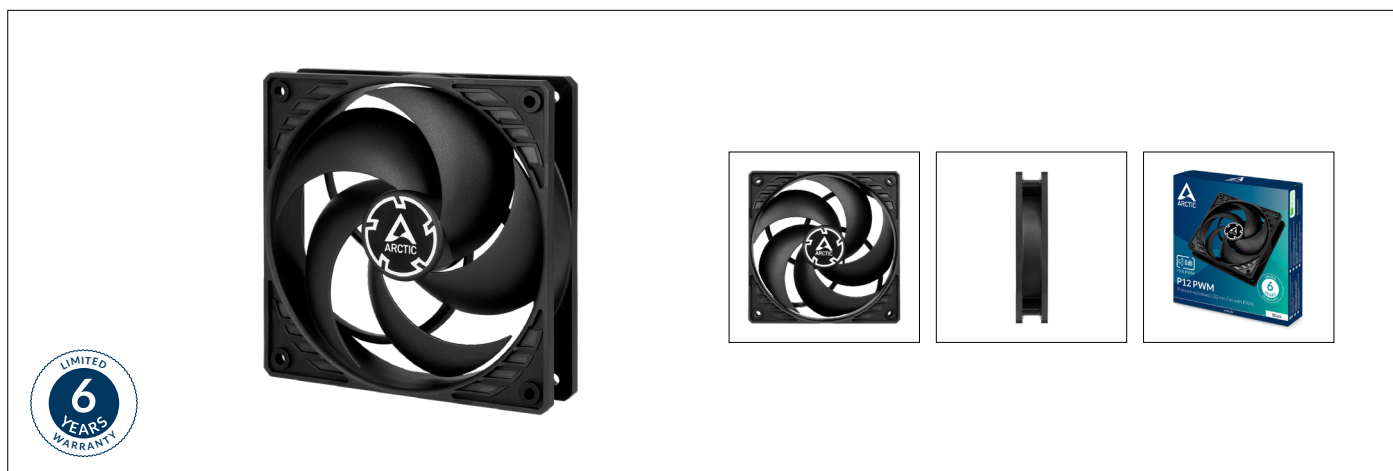


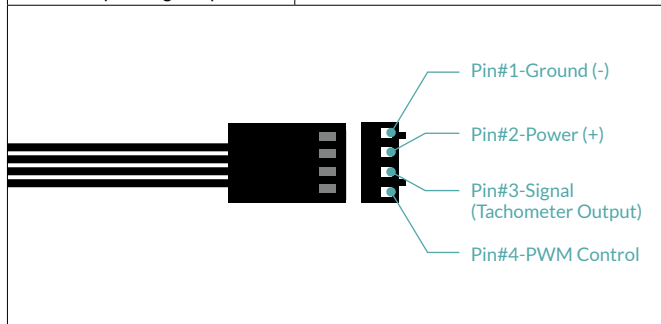
P12 PWM

120 mm PWM Case Fan



Fan Specifications

Dimensions	120 (L) x 120 (W) x 25 (H) mm
Weight	139 g
Speed	200-1800 rpm, 0 rpm below 5 % PWM
rpm Control	Pulse Width Modulation - PWM
Static Pressure	2.20 mmH ₂ O
Airflow	56,3 cfm 95,70 m ³ /h
Bearing	Fluid Dynamic Bearing
Cable Length	400 mm
Connector	4-Pin Connector
Current/Voltage	0.1 A 12 V
Starting Voltage	3.9 V
Noise Level	0.3 Sone
Ambient Operating Temperature	0-40 °C

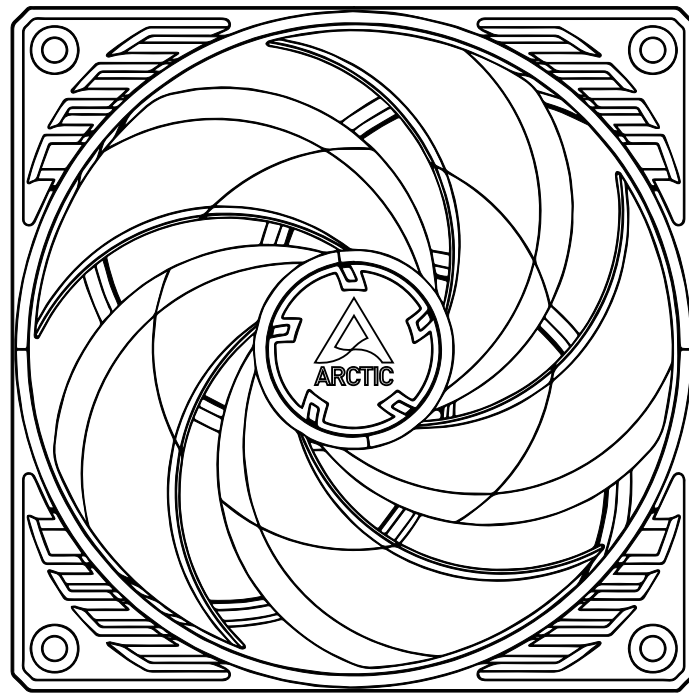


Shipping Information Single Fan - Black

Dimensions	123 (L) x 123 (W) x 27 (H) mm
Weight	170 g
SKU	ACFAN00119A
EAN	4895213701389
UPC	872767009332
Lieferumfang	P12 PWM x1 Mounting Screws x4

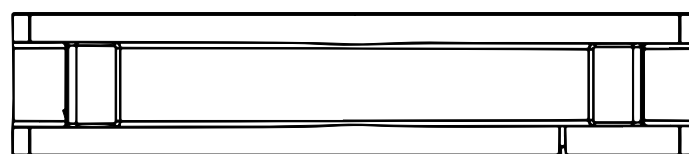
P12 PWM

120 mm PWM Case Fan



120 mm

120 mm



25 mm



All materials are compatible with RoHS requirements.

MORE INFORMATION



MANUALS

