

Freezer i35 A-RGB

Tower CPU Cooler for Intel® with A-RGB



General Specifications

Compatibility	Intel® 1700, 1200, 155X
Heatsink	Single Tower
TIM	MX-5 (0.8g)
Noise Level	0.35 Sone
Dimensions	133 (W) x 91 (L) x 158.5 (H) mm
Weight	734 g

Heatsink Specifications

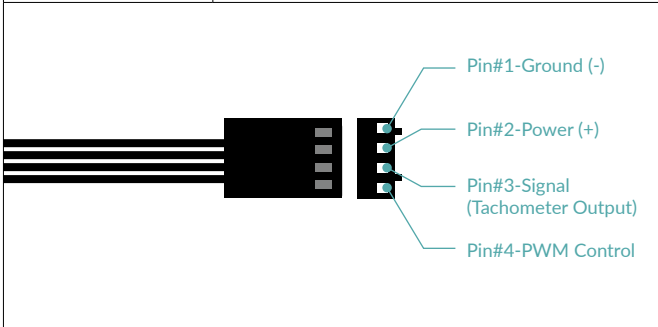
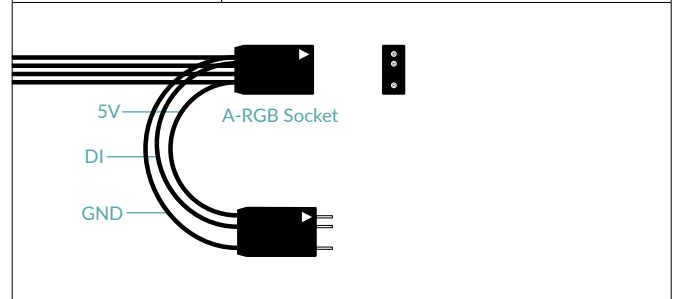
Number of Heatpipes	4
Heatpipe Diameter	6 mm
Number of Fins	54
Fin Thickness	0.4 mm
Fin Material	Aluminum

Fan Specifications

Speed	200-1700 rpm
Fan Diameter	112 mm
Fan Dimensions	133 (W) x 91 (L) x 135 (H) mm
Speed Control	Pulse Width Modulation - PWM
Connector	4-Pin Connector
Bearing	Fluid Dynamic Bearing
Current Voltage	0.12 A 12 V
Cable	200 mm fan cable, black

RGB Specifications

LEDs	12 A-RGB LEDs
Connector	3-Pin 5V-DI-GND Connector
Current Voltage	0.4 A 5 V
Cable	450 mm cable with 80 mm sharing cable, black

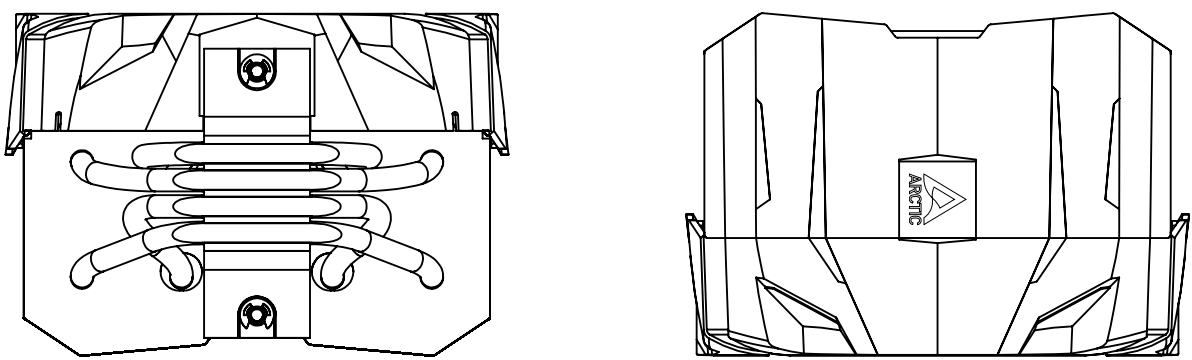
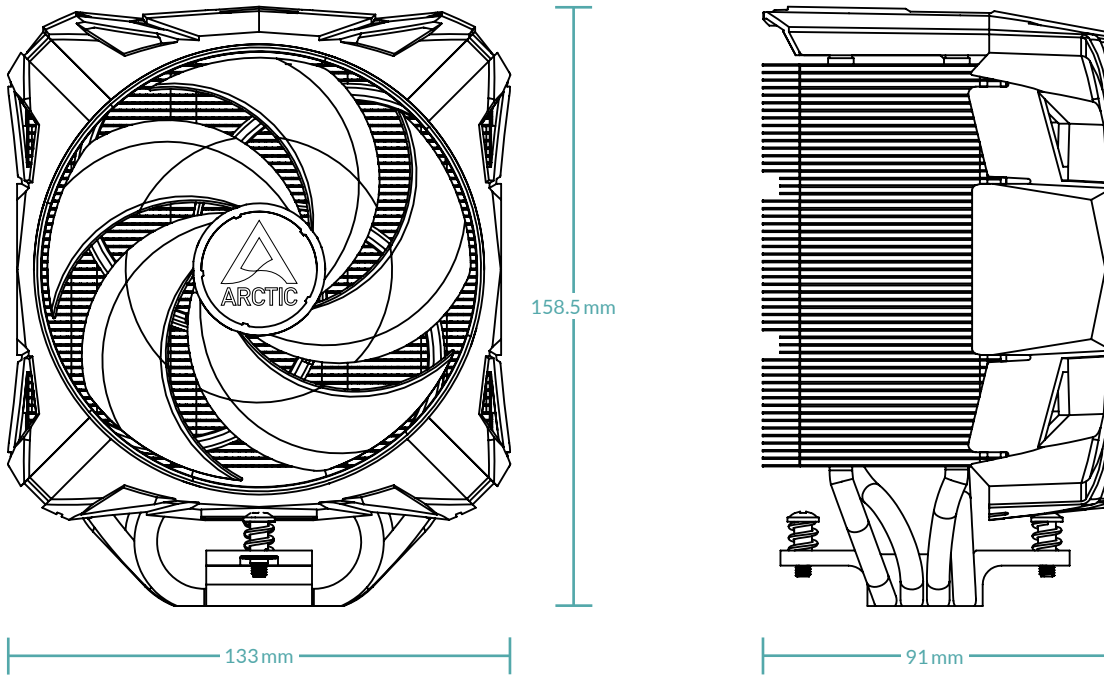


Shipping Information

Warranty	6 years
Box Dimensions	113 (L) x 144 (W) x 168 (H) mm
Gross Weight	893.75 g
SKU	ACFRE00104A
EAN	4895213703444
UPC	840033401258

Freezer i35 A-RGB

Tower CPU Cooler for Intel® with A-RGB



All materials are compatible with RoHS requirements.

MORE INFORMATION



MANUALS

