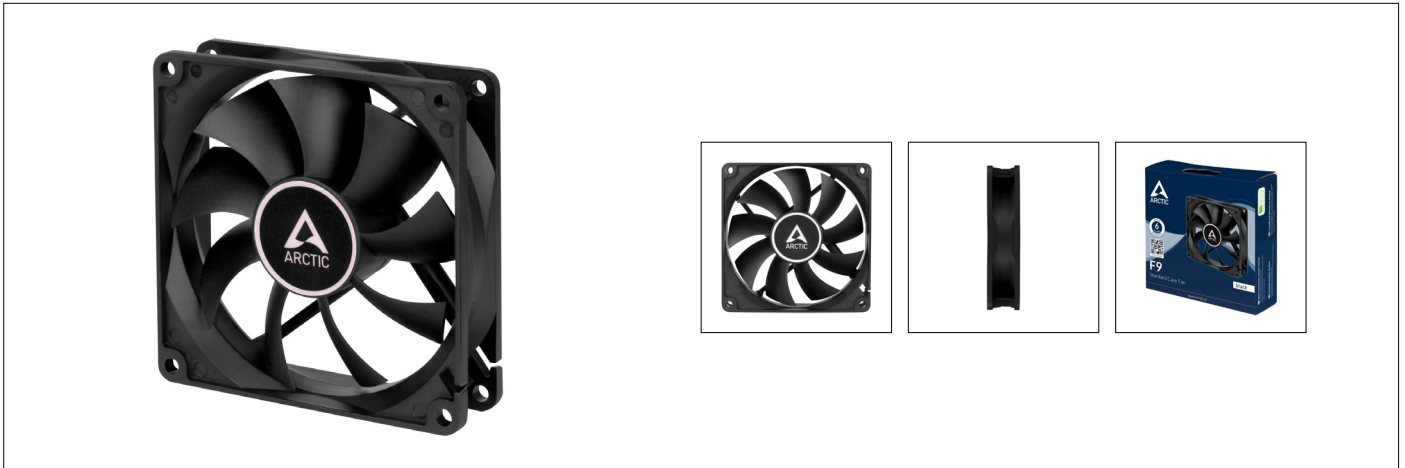
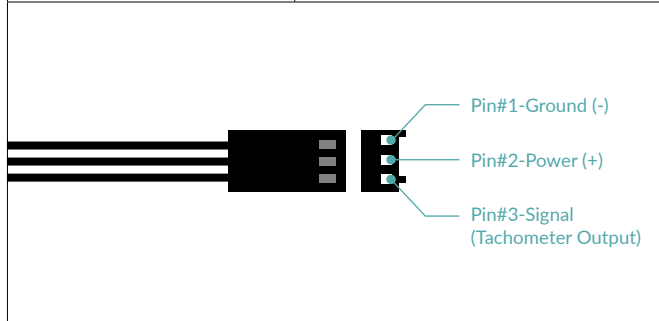


92 mm Standard Case Fan



Fan Specifications

| | |
|-------------------------------|---------------------------------|
| Dimensions | 92 (L) x 92 (W) x 25 (H) mm |
| Weight | 84 g |
| Speed | 1800 rpm |
| Static Pressure | 1.35 mm H ₂ O |
| Airflow | 43 cfm 73.1 m ³ /h |
| Bearing | Fluid Dynamic Bearing |
| Cable Length | 400 mm |
| Connector | 3-Pin Connector |
| Current/Voltage | 0.16 A/12 V |
| Starting Voltage | 2.6 V |
| Noise Level | 0.4 Sone |
| Ambient Operating Temperature | 0-40 °C |



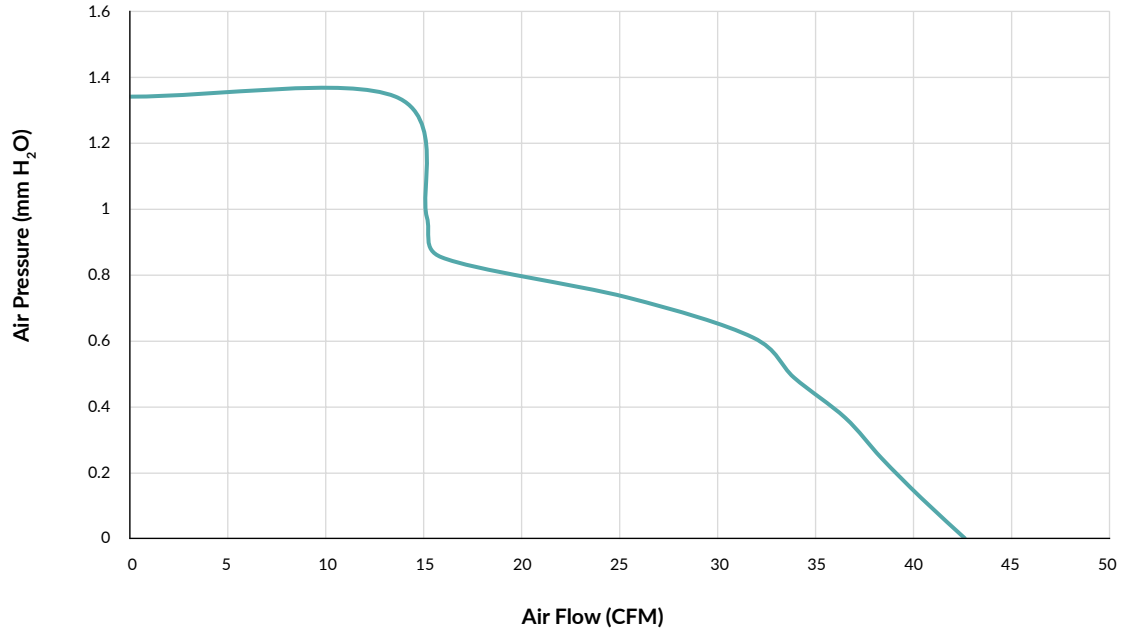
Shipping Information Single Fan - Black

| | |
|-----------------|-----------------------------|
| Dimensions | 96 (L) x 96 (W) x 27 (H) mm |
| Weight | 99 g |
| SKU | ACFAN00212A |
| EAN | 4895213702881 |
| UPC | 840033400688 |
| Package Content | F9 x1 Mounting Screws x4 |

Shipping Information Pack of 5 Value Pack - Black

| | |
|-----------------|-------------------------------|
| Dimensions | 98 (L) x 128 (W) x 103 (H) mm |
| Weight | 455 g |
| SKU | ACFAN00249A |
| EAN | 4895213703321 |
| UPC | 840033401135 |
| Package Content | F9 x5 Mounting Screws x20 |

92 mm Standard Case Fan

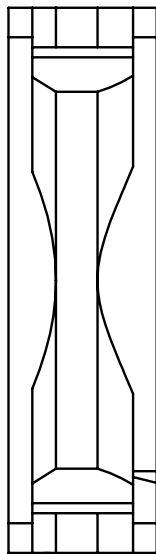
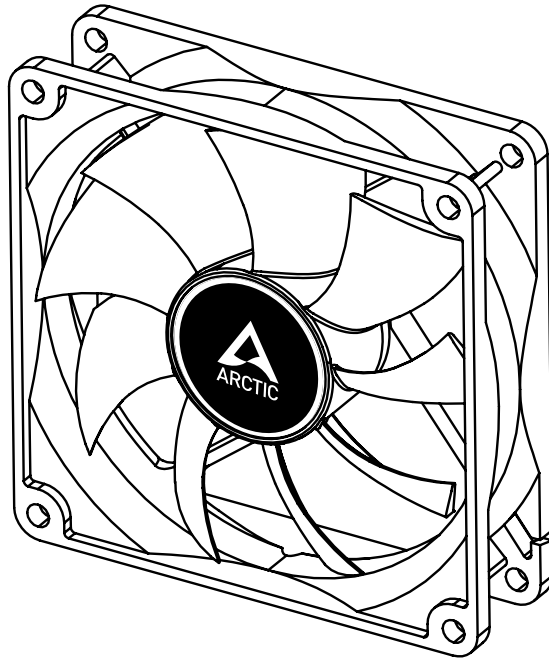


F9

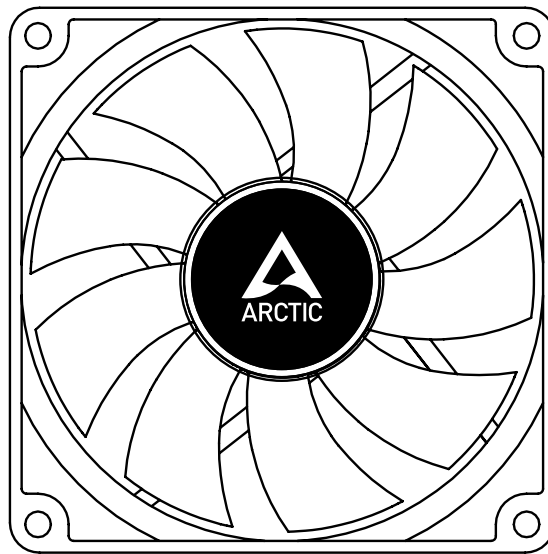
BLACK



92 mm Standard Case Fan



← 25 mm →



← 92 mm →



92 mm

All materials are compatible with RoHS requirements



Product Information



Manual