



AeroCool[®]
Cool

Flo Series

MID TOWER CASES

Save Money. Build Better.

The Next Generation of Case Design

aerocool.io

Flo Series

MID TOWER CASES

Save Money. Build Better.



The Next Generation of Case Design

Featuring an innovative and unique mid tower case design, you now have the freedom to fully customize your PC build in a truly creative way. The motherboard mounting plate of this case is turned 90°, so you can install your graphics card at a 90° vertical position which lessens the stress on your motherboard.



Flo Series

MID TOWER CASES

Save Money. Build Better.



The Next Generation of Case Design

Efficient Cable Management

A spacious built-in cable compartment at the top of the case helps you keep your cables together with a cable clip and a soft grommet for cables to pass through. This keeps your PC build looking tidy and organized at all times. The magnetic top panel also protects your compartment from dust buildup.

Another 2cm space, behind the motherboard tray ensures your hardware cables are neatly held together.

Flo Series

MID TOWER CASES

Save Money. Build Better.



Key Features

- 2 models available: **Flo-G** and **Flo Saturn FRGB**
- Motherboard mounting plate is turned 90°, allowing you to install your graphics card at a 90° vertical position
- Built-in cable compartment in the top of the case allows for efficient cable management
- Air vents on the front panel provide superior air flow and circulation

- Full tempered glass side panel to showcase the inside of your rig
- Removable HDD cages allow you to install longer radiator or PSU
- Supports liquid cooling in the front and rear of the case
- Comes in 2 available color options: Black or White

| | Flo-G | Flo Saturn FRGB |
|------------------|---|--|
| Model |  |  |
| Side Panel | Tempered Glass | Tempered Glass |
| Fans Included | Front: 120mm Black fan x 3 Rear: 120mm Black fan x 2 | Front: 120mm Saturn 12 FRGB fan x 3 Rear: 120mm Saturn 12 FRGB fan x 2 |
| Available colors | Black or White | Black or White |

Flo Series

MID TOWER CASES

Save Money. Build Better.



Fixed RGB LED Lighting (Flo Saturn FRGB Only)

The Flo Saturn FRGB comes equipped with five Saturn 12 FRGB fans with Fixed RGB LED Lighting to create a static lighting effect that adds a stylish flair to your rig.



Saturn 12 FRGB

- Fixed RGB LED Lighting adds extra flair to your rig
- RGB LED Multi-Ring Lighting design
- Curved fan blades for maximum cooling performance
- Anti-vibration pads absorb and dampen vibrations caused by fan rotation

Flo Series

MID TOWER CASES

Save Money. Build Better.



Improved Air Ventilation

Air vents on the sides of the front panel increase air flow and ventilation for superior cooling performance.

Full Tempered Glass Side Panel

Comes equipped with a full tempered glass side panel to showcase the inside of your rig.



Flo Series

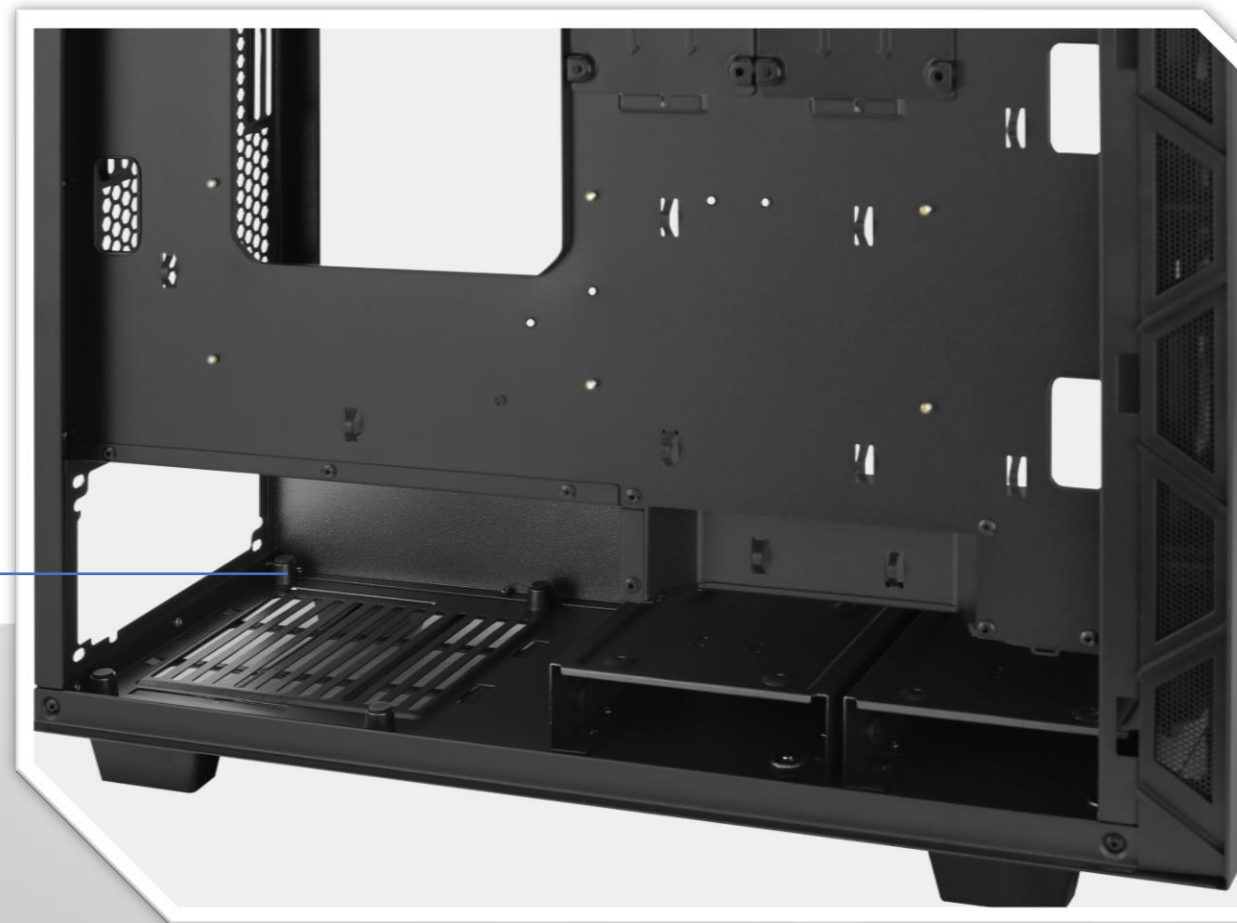
MID TOWER CASES

Save Money. Build Better.



Built for Noise and Vibration Reduction

Four decoupled spacers with anti-vibration pads for mounting your power supply deliver maximum noise and vibration reduction, which allows for silent and smooth operation.



Flo Series

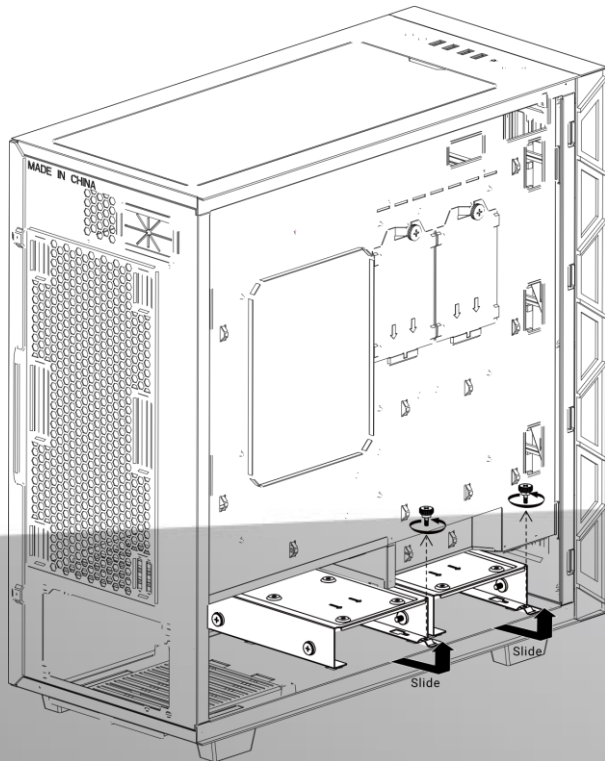
MID TOWER CASES

Save Money. Build Better.



Removable HDD Cage

Customize your build the way you want it. Stick to the standard hard drive configuration or remove the HDD cage to make space to install a longer radiator or PSU.



Storage Compatibility

Supports up to 4 x 2.5" SSDs (2 x 2.5" and 2 x 2.5"/3.5") and 2 x 3.5" HDDs (2 x 3.5"/2.5").



Flo Series

MID TOWER CASES

Save Money. Build Better.

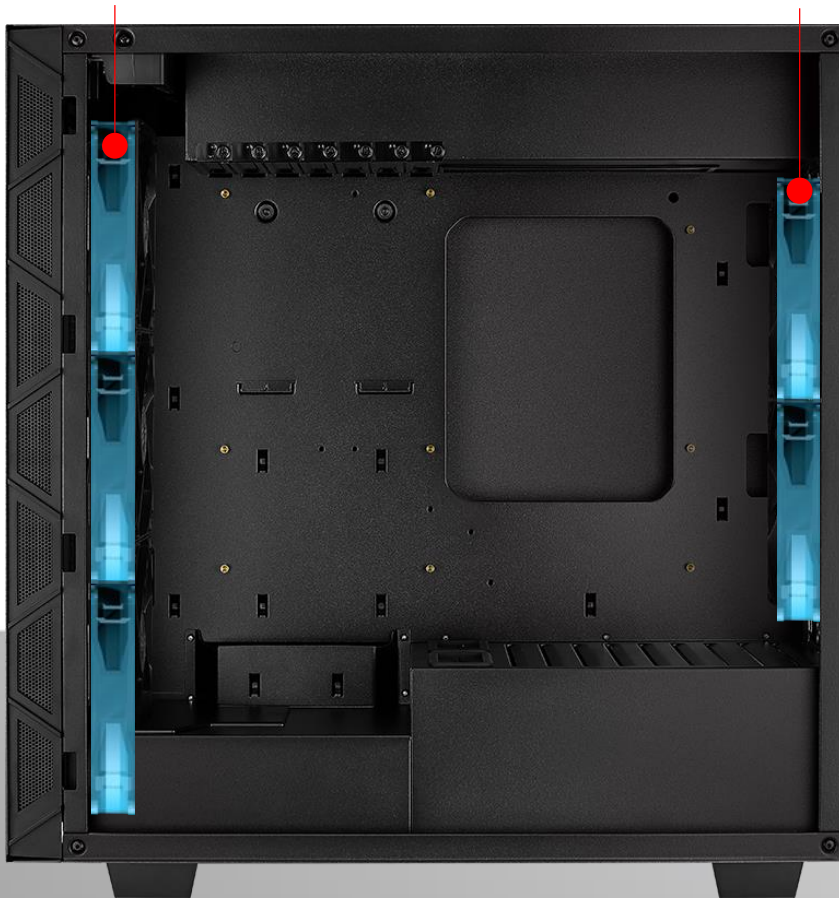


Air Cooling

Supports air cooling in the front and rear of the case to enhance cooling performance.

Front: 120mm x 3 (May vary)

Rear: 120mm x 2 (May vary)



Front: 140mm x 2 (May vary)

Rear: 140mm x 2 (May vary)



Flo Series

MID TOWER CASES

Save Money. Build Better.

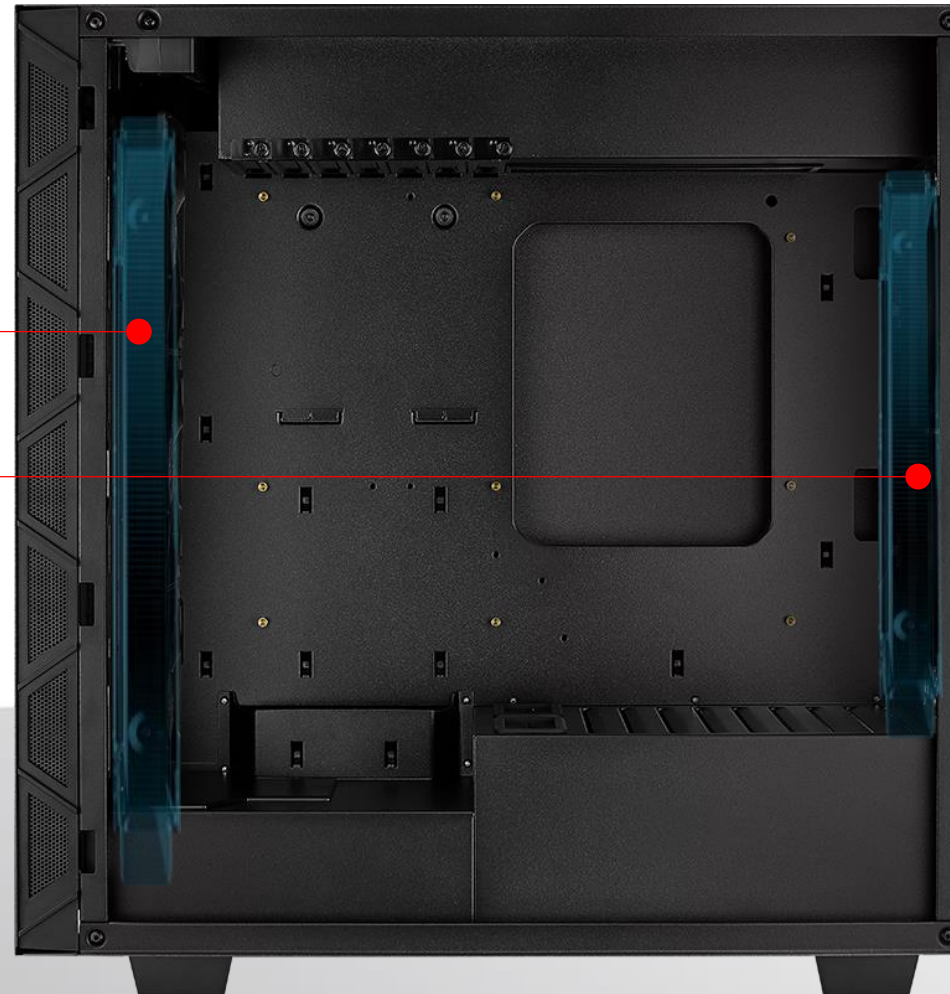


Liquid Cooling

Supports liquid cooling in the front and rear of the case for maximum efficiency cooling.

Front: 120/240/280/360mm Radiator (Optional)

Rear: 120/140/240mm Radiator (Optional)



Flo Series

MID TOWER CASES

Save Money. Build Better.



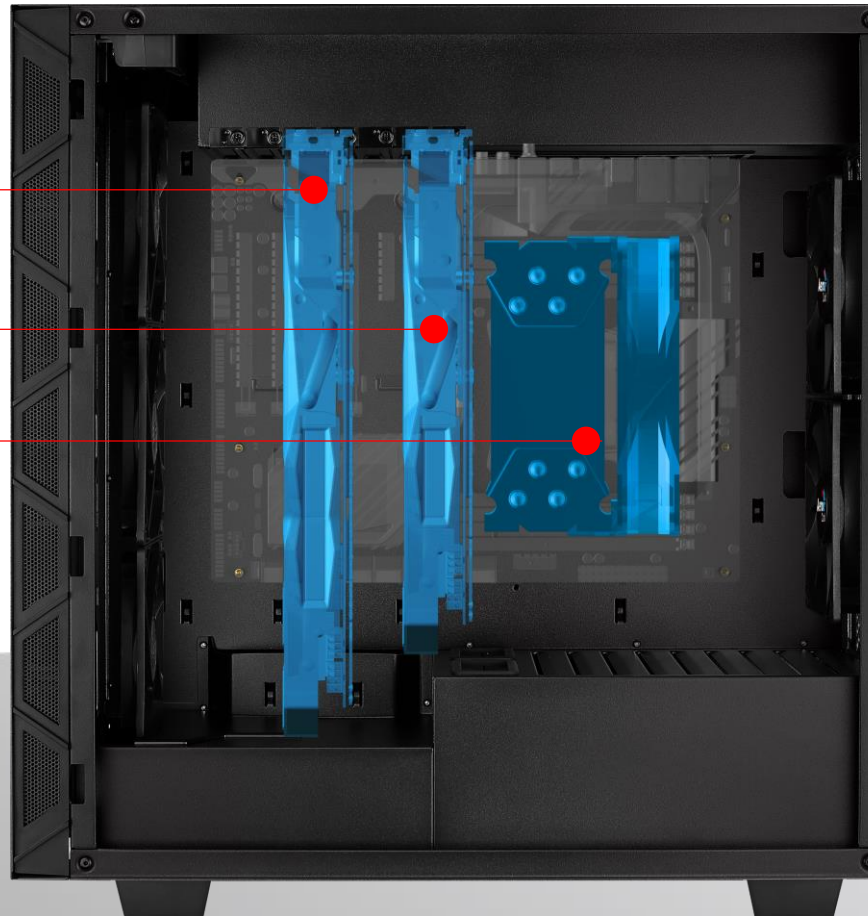
Built for High Performance

- Supports graphics cards up to 321mm (1st PCIe slot supports up to a max. of 282mm)
- Supports ATX, Micro-ATX, and Mini-ITX motherboards

PCIe slot supports up to a max. of 321mm

PCIe slot supports up to a max. of 282mm

Supports CPU coolers up to 165mm



Flo Series

MID TOWER CASES

Save Money. Build Better.



Convenient Access to Your Media

Quick and easy access to 2 x USB 3.0, 2 x USB 2.0, HD audio and mic ports, and power & reset button.

- Power
- Reset
- USB 3.0 x 2
- USB 2.0 x 2
- HD audio and mic



Flo Series

MID TOWER CASES

Save Money. Build Better.



Easy Maintenance

Removable dust filters on the bottom of the case for fast and convenient cleaning.



Flo Series

MID TOWER CASES

Save Money. Build Better.



SPECIFICATIONS

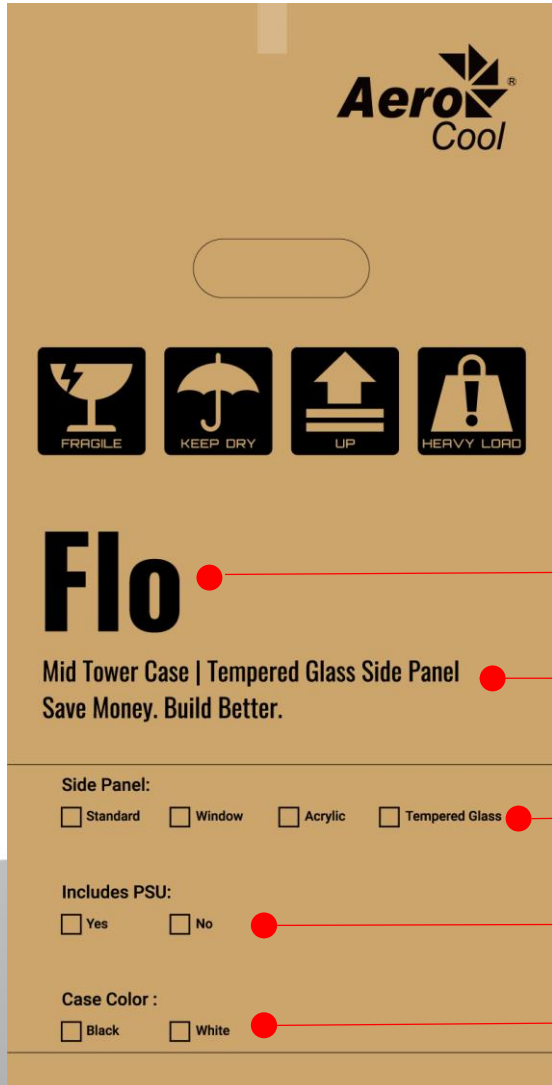
| | |
|----------------------------|-------------------------------------|
| Model | Flo |
| Case Type | Mid Tower |
| Color | Black |
| Body Material | SPCC |
| Front Panel Material | Steel |
| Steel Thickness | 0.7mm ~ 0.8mm |
| Motherboards | ATX/micro ATX/mini-ITX |
| Case Dimensions (Internal) | 215 x 460 x 430mm (W x H x D) |
| Case Dimensions (Overall) | 215 x 483 x 470mm (W x H x D) |
| 3.5" Drive Bays | 2 Max. (2 x 3.5"/2.5") |
| 2.5" Drive Bays | 4 Max. (2 x 2.5" and 2 x 2.5"/3.5") |

| | |
|---------------------------------|--|
| Expansion Slots | 7 |
| GPU Clearance | Supports graphics cards up to 321mm (1st PCIe slot supports up to a max. of 282mm) |
| CPU Clearance | Supports CPU up to 165mm |
| Air Cooling | Front: 120mm x 3 or 140mm x 2 (May vary) Rear: 120mm x 2 or 140mm x 2 (May vary) |
| Liquid Cooling | Front: 120/240/280/360mm Radiator (Optional) Rear: 120/140/240mm Radiator (Optional) |
| I/O Ports | USB3.0 x 2 + USB2.0 x 2 HD Audio & Mic. |
| Internal Cable Management Depth | 25mm |
| Power Supply | ATX PSU(Optional) (Including cables, up to 222mm) (Without HDD cage) |
| EAN Code | Flo-G-BK-v1: 4710562754131 Flo-G-WT-v1: 4710562754148 Flo Saturn FRGB-G-BK-v1: 4710562754155 Flo Saturn FRGB-G-WT-v1: 4710562754162 |

Flo Series

MID TOWER CASES

Save Money. Build Better.



Packaging Made Easy:

1. Display
2. Inform, and
3. Store (in warehouse)

Product Name

Type of Product

Side Panel Version

Includes PSU: Yes or No

Case Color: Variations can be added via sticker

Flo Series

MID TOWER CASES

Save Money. Build Better.

